

FIG. 1

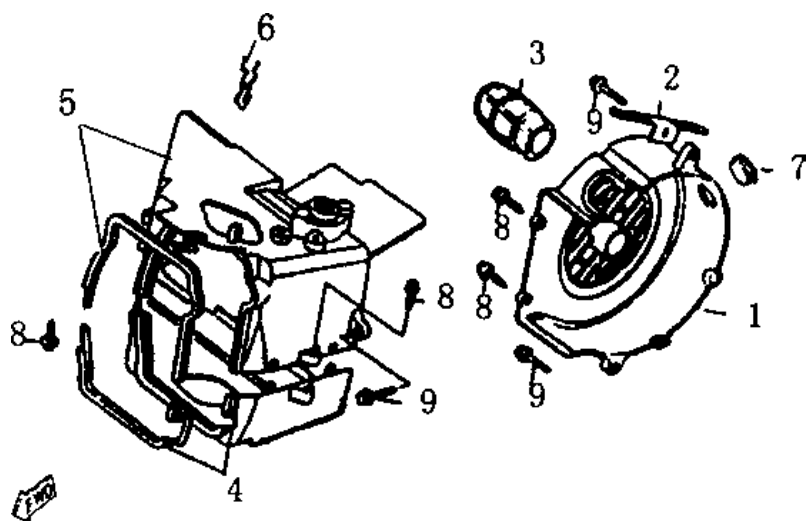


图 1
FIG. 1

风扇盖·护罩
FAN COVER·SHROUD

| 序号 Ref.No. | 代号 Part No. | 名称及规格 Description | 数量 Q'ty | 备注 Remarks |
|---------------|------------------|-------------------------------------|------------|---------------|
| 1 | P157QMJ. 16.1-00 | 风扇罩组合 COVER COMP, fan | 1 | |
| 2 | P157QMJ. 16-05 | 起动电机线夹 CLAMP, starter cable | 1 | |
| 3 | P157QMJ. 16-09 | 化油器冷却导管 DUCT, carburetor cooling | 1 | |
| 4 | P157QMJ. 16-04 | 下罩盖 SHROUD COMP, ex | 1 | |
| 5 | P157QMJ. 16.2-00 | 上罩盖组合 SHROUD COMP, in | 1 | |
| 6 | P157QMJ. 16-07 | 高压线夹 CLIP, high tension cord | 1 | |
| 7 | 139QMB. 16-02 | 橡皮塞 GROMMETB, side panel | 1 | |
| 8 | GB845-85 | 螺钉 M5 × 16 SCREW, tapping | 4 | |
| 9 | GB5787-86 | 螺钉 M6 × 25 BOLT, flange | 3 | |

FIG. 2

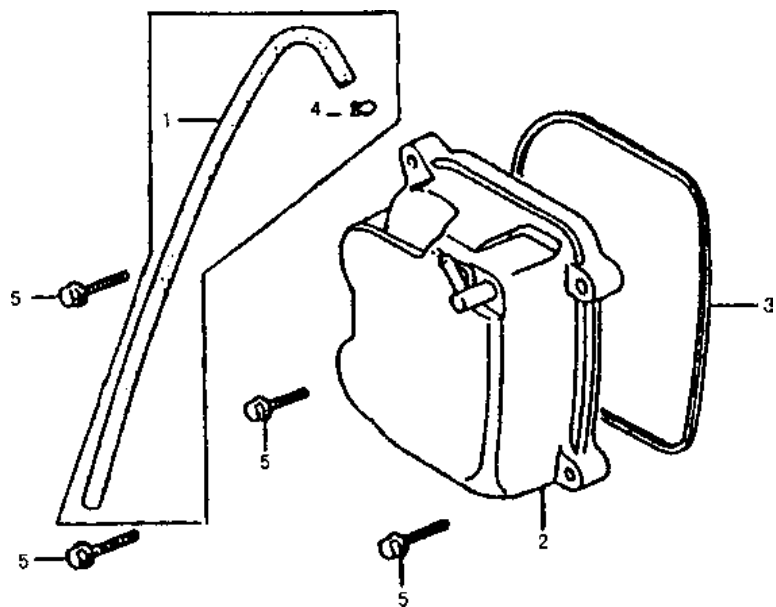


图 2
FIG. 2

汽缸头盖
CYLINDER HEAD COVER

| 序号 Ref.No. | 代号 Part No. | 名称及规格 Description | 数量 Q'ty | 备注 Remarks |
|---------------|----------------|------------------------------------|------------|---------------|
| 1 | P157QMJ.02-38 | 通气管 TUBE, breather | 1 | |
| 2 | P157QMJ.02-01 | 汽缸头盖 COVER COMP, cylinder head | 1 | |
| 3 | P157QMJ.02-05 | 密封圈 GASKET, head cover | 1 | |
| 4 | CIE50FMF12-04 | 软管夹 CLIP, 12MM | 1 | |
| 5 | GB5787-86 | 螺栓 M6 × 25 BOLT, flange M6 × 25 | 4 | |

FIG. 3

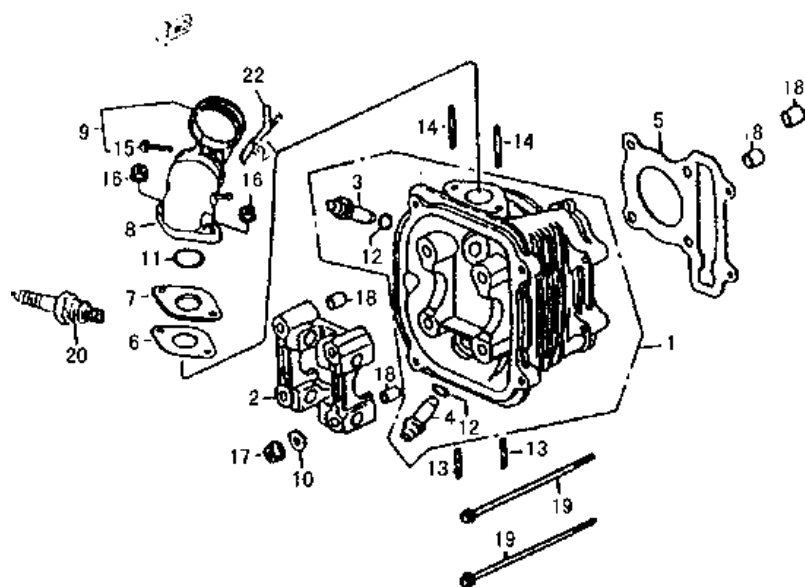


图 3
FIG. 3

汽缸头
CYLINDER HEAD

| 序号 Ref.No. | 代号 Part No. | 名称及规格 Description | 数量 Q'ty | 备注 Remarks |
|---------------|--------------------|-------------------------|-----------------------------------|---------------|
| 1 | P157QMJ. 02. 2-01 | 汽缸头 | HEAD COMP, cylinder | 1 |
| 2 | P157QMJ. 02-07 | 凸轮轴保持架 | HOLDER, camshaft | 1 |
| 3 | P157QMJ. 02. 2-04 | 进气门导套 | GUIDE, in. valve | 1 |
| 4 | P157QMJ. 02. 2-05 | 排气门导套 | GUIDE, ex. valve | 1 |
| 5 | P157QMJ. 02-22 | 汽缸头垫片 | GASKET, cylinder head | 1 |
| 6 | P157QMJ. 02-32 | 隔热板垫片 | GASKET, carburetor, insulator | 1 |
| 7 | P157QMJ. 02-31 | 化油器隔热板 | INSULATOR, carburetor | 1 |
| 8 | P157QMJ. 02. 11-00 | 进气管 | PIPE COMP, in | 1 |
| 9 | P157QMJ. 02. 12-00 | 卡箍组合 | BAND, insulator | 1 |
| 10 | K157FMI. 02-40 | 平垫圈 | WASHER | 4 |
| 11 | P157QMJ. 02-37 | O 型圈 | O-RING $\Phi 27 \times 2$ | 1 |
| 12 | 139QMB. 12-01 | O 型圈 | O-RING $\Phi 9 \times 1.5$ | 2 |
| 13 | 139QMB. 02-20 | 双头螺栓 | BOLT2, STUD | 2 |
| 14 | GB900-88 | 双头螺栓 A $M6 \times 25$ | BOLT, stud A $M6 \times 25$ | 2 |
| 15 | GB5787-86 | 螺栓 $M6 \times 25$ | BOLT | 1 |
| 16 | 139QMB. 02-33 | 螺母 M6 | NUT FLANGE M6 | 2 |
| 17 | K157FMI. 02-39 | 螺母 M8 | NUT FLANGE M8 | 4 |
| 18 | 244FMI. 02-13 | 定位销 $\Phi 10 \times 16$ | PIN, position $\Phi 10 \times 16$ | 4 |
| 19 | GB5787-86 | 螺栓 $M6 \times 100$ | BOLT, flange $M6 \times 100$ | 2 |
| 20 | LD-AT7C | 火花塞 (LD-AT7C) | SPARK PLUG | 1 |
| 21 | P157QMJ. 02-39 | 负压管 | TUBE VACUUM | 1 |
| 22 | P157QMJ. 02-41 | 三通管 | JOINT, three way | 1 |

FIG. 4

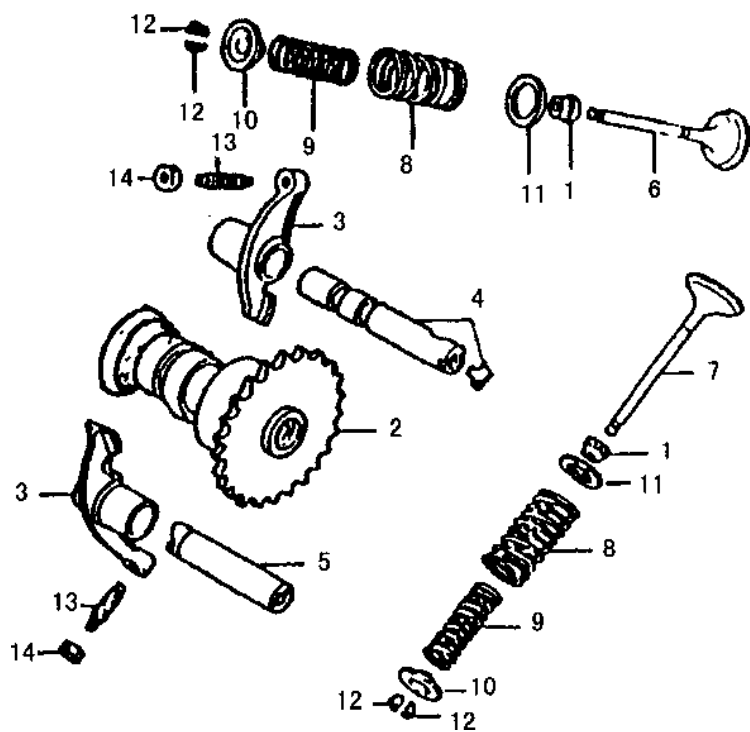


图 4
FIG. 4

凸轮轴·气门
CAMSHAFT·VALVE

| 序号 Ref.No. | 代号 Part No. | 名称及规格 Description | 数量 Q'ty | 备注 Remarks |
|---------------|--------------------|----------------------|------------|---------------|
| 1 | 139QMB. 02. 6-00 | 气门油封 | 2 | |
| 2 | P157QMJ. 02. 3-01 | 凸轮轴组合 | 1 | |
| 3 | P157QMJ. 02-12 | 摇臂 | 2 | |
| 4 | P157QMJ. 02. 13-00 | 进气摇臂轴组合 | 1 | |
| 5 | P157QMJ. 02-23 | 排气摇臂轴 | 1 | |
| 6 | P157QMJ. 02-04 | 进气门 | 1 | |
| 7 | P157QMJ. 02-29 | 排气门 | 1 | |
| 8 | P157QMJ. 02-16 | 气门外弹簧 | 2 | |
| 9 | P157QMJ. 02-15 | 气门内弹簧 | 2 | |
| 10 | 139QMB. 02-18 | 气门弹簧座 | 2 | |
| 11 | 139QMB. 02-17 | 气门弹簧下托盘 | 2 | |
| 12 | 139QMB. 02-19 | 锥形卡块 | 4 | |
| 13 | 244FMI. 02-41 | 气门间隙调整螺钉 | 2 | |
| 14 | 244FMI. 02-40 | 气门间隙螺母 | 2 | |

FIG. 5

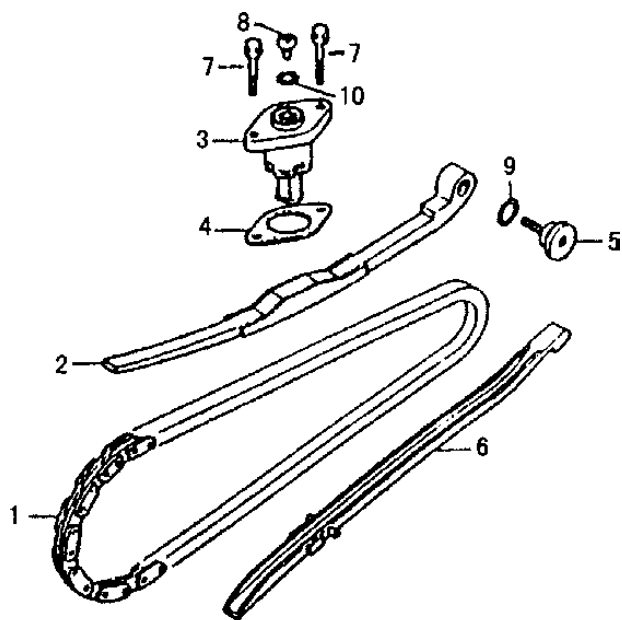


图 5
FIG. 5

链条·涨紧装置
CAM CHAIN·TENSIONER

| 序号 Ref.No. | 代号 Part No. | 名称及规格 Description | 数量 Q'ty | 备注 Remarks |
|---------------|------------------|----------------------|---------------------------|---------------|
| 1 | P157QMJ.02-21 | 配气链条 | CHAIN, CAM | 1 |
| 2 | P157QMJ.02.7-00 | 链条涨紧板 | TENSIONER, cam chain | 1 |
| 3 | P157QMJ.02.10-00 | 链条涨紧器总成 | LIFTER ASSY., tensioner | 1 |
| 4 | P157QMJ.02-28 | 涨紧器垫片 | GASKET, tensioner lifter | 1 |
| 5 | 139QMB.02-26 | 螺栓 | BOLT, cam chain tensioner | 1 |
| 6 | P157QMJ.02.8-00 | 链条导板 | GUIDE COMP, cam chain | 1 |
| 7 | GB5787-86 | 螺栓 M6 × 20 | BOLT, flange M6 × 20 | 2 |
| 8 | P157QMJ.02.10-03 | 大圆头螺钉 M6 × 6 | SCREW, pan M6 × 6 | 1 |
| 9 | 139QMB.02-24 | O型圈 Φ15.2 × 1.5 | O-RING, Φ 15.2 × 1.5 | 1 |
| 10 | P157QMJ.02.10-04 | O型圈 Φ9.7 × 1.4 | O-RING, Φ 9.7 × 1.4 | 1 |

FIG. 6

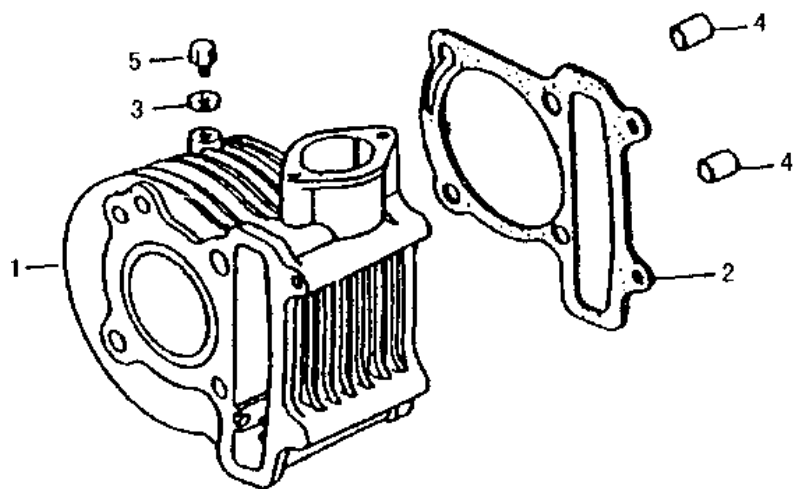


图 6
FIG. 6

汽缸
CYLINDER

| 序号 Ref.No. | 代号 Part No. | 名称及规格 Description | 数量 Q'ty | 备注 Remarks |
|---------------|-----------------|-------------------------|-------------------------------|---------------|
| 1 | P157QMJ.02.1-00 | 汽缸体组合 | CYLINDER COMP | 1 |
| 2 | P157QMJ.02-27 | 汽缸垫片 | GASKET, cylinder | 1 |
| 3 | K157FMI.02.5-00 | 垫圈 | WASHER, SEALING | 1 |
| 4 | 244FMI.02-13 | 定位销 $\Phi 10 \times 16$ | PIN, dowl $\Phi 10 \times 16$ | 2 |
| 5 | GB5789-86 | 螺栓 $M6 \times 12$ | BOLT, flange $M6 \times 12$ | 1 |

FIG. 7

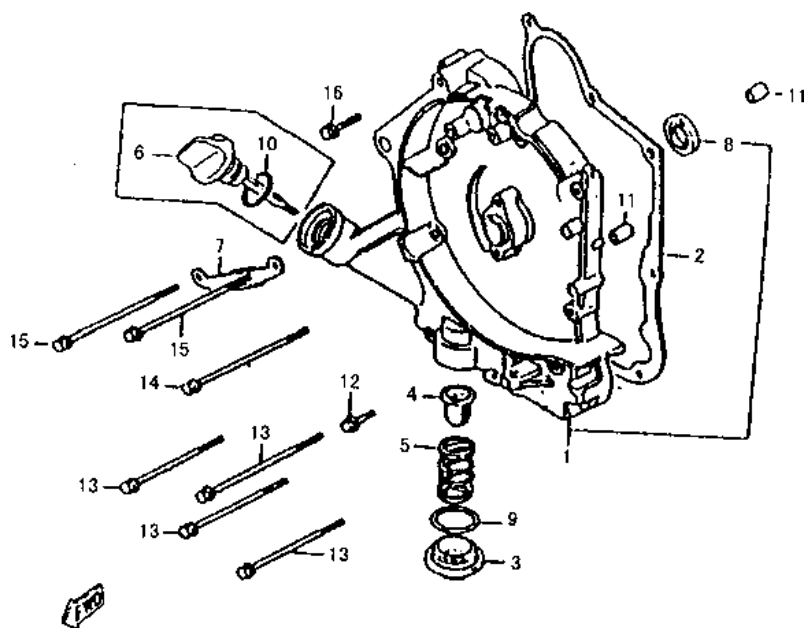


图 7
FIG. 7

右箱盖
RIGHT CRANKCASE COVER

| 序号 Ref.No. | 代号 Part No. | 名称及规格 Description | 数量 Q'ty | 备注 Remarks |
|---------------|------------------|-------------------------|-------------------------------|---------------|
| 1 | P157QMJ. 01-02 | 右箱盖 | COVER, R. crankcase comp | 1 |
| 2 | P157QMJ. 01-03A | 右箱盖垫片 | GASKET, R. crankcase cover | 1 |
| 3 | 139QMB. 12-04 | 调整螺帽 | CAP, tappet adjusting hole | 1 |
| 4 | 139QMB. 12. 3-00 | 滤油网组合 | STRAINER, oil filter | 1 |
| 5 | 139QMB. 12-05 | 弹簧 | SPRING, oil filter strainer | 1 |
| 6 | 139QMB. 01-16 | 量油尺 | GAUGE, oil level | 1 |
| 7 | P157QMJ. 01-23 | 压线板 | CLAMP magneto cord | 1 |
| 8 | P157QMJ. 03-20 | 右曲柄油封 | OIL SEAL | 1 |
| 9 | 139QMB. 12-03 | O 型圈 $\Phi 30.8$ | O-RING $\Phi 30.8$ | 1 |
| 10 | 139QMB. 01-15 | O 型圈 $\Phi 18 \times 3$ | O-RING $\Phi 18 \times 3$ | 1 |
| 11 | 139QMB. 01-14 | 定位销 $\Phi 8 \times 14$ | PIN, dowel $\Phi 8 \times 14$ | 2 |
| 12 | GB5787-86 | 螺栓 $M6 \times 30$ | BOLT, flange $M6 \times 30$ | 1 |
| 13 | GB5787-86 | 螺栓 $M6 \times 95$ | BOLT, flange $M6 \times 95$ | 4 |
| 14 | GB5787-86 | 螺栓 $M6 \times 100$ | BOLT, flange $M6 \times 100$ | 1 |
| 15 | GB5787-86 | 螺栓 $M6 \times 110$ | BOLT, flange $M6 \times 110$ | 2 |
| 16 | GB5787-86 | 螺栓 $M6 \times 35$ | BOLT, flange $M6 \times 35$ | 1 |

FIG. 8

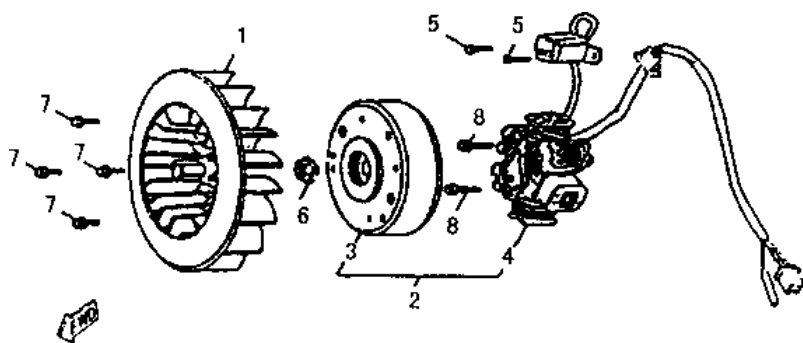


图 8
FIG. 8

磁电机
MAGNETO

| 序号 Ref.No. | 代号 Part No. | 名称及规格 Description | 数量 Q'ty | 备注 Remarks |
|---------------|--------------------|----------------------|---------------------------------|---------------|
| 1 | P157QMJ. 16.3-00 | 风扇组合 | FAN COMP, cooling | 1 |
| 2 | P157QMJ. 07.1-00 | 磁电机组合 | MAGNETO ASSY, flywheel type a.c | 1 |
| 3 | P157QMJ. 07.1.3-00 | 转子组合 | FLYWHEEL COMP | 1 |
| 4 | P157QMJ. 07.1.1-00 | 定子组合 | STATOR COMP | 1 |
| 5 | GB5787-86 | 螺栓 M5 × 12 | BOLT, flange M5 × 12 | 2 |
| 6 | P157QMJ. 04-15 | 螺栓 M12 | NUT, flange M12 | 1 |
| 7 | 139QMB. 02-25 | 螺栓 | BOLT, flange | 4 |
| 8 | GB5787-86 | 螺栓 M6 × 20 | BOLT, flange M6 × 20 | 2 |

FIG. 9

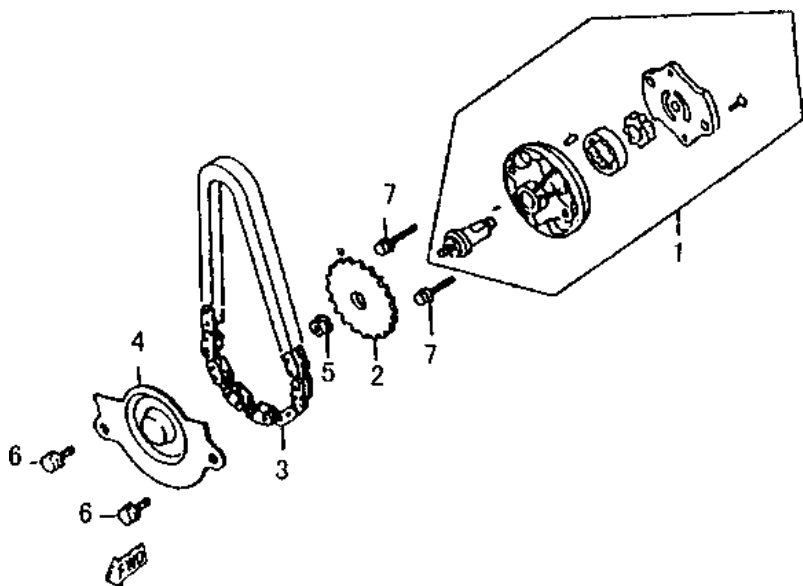


图 9
FIG. 9

机油泵
OIL PUMP

| 序号 Ref.No. | 代号 Part No. | 名称及规格 Description | 数量 Q'ty | 备注 Remarks |
|---------------|------------------|----------------------|---------------------------|---------------|
| 1 | P157QMJ. 12.1-00 | 机油泵组合 | OIL PUMP ASSY. | 1 |
| 2 | P157QMJ. 12-07 | 机油泵链轮 | SPROCKET, oil pump driven | 1 |
| 3 | P157QMJ. 12-09 | 机油泵驱动链条 | CHAIN, oil pump | 1 |
| 4 | P157QMJ. 12-08 | 机油分隔板 | SEPARATOR, oil | 1 |
| 5 | GB6177-86 | 螺母 M 6 | NUT, flange M6 | 1 |
| 6 | GB5787-86 | 螺栓 M6 × 12 | BOLT, flange M6 × 12 | 2 |
| 7 | GB5787-86 | 螺栓 M6 × 25 | BOLT, flange M6 × 25 | 2 |

FIG. 10

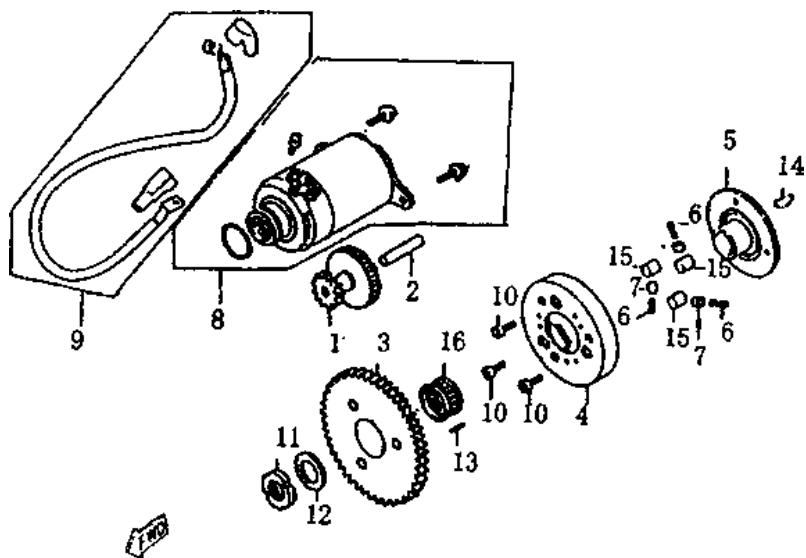


图 10
FIG. 10

电起总分总成
STARTING MOTOR

| 序号 Ref.No. | 代号 Part No. | 名称及规格 Description | 数量 Q'ty | 备注 Remarks |
|---------------|-----------------------|---|------------|---------------|
| 1 | P157QMJ. 06D-02 | 电起动物轮 GEAR, starter reduction | 1 | |
| 2 | P157QMJ. 06D-01 | 电起动物轮轴 SHAFT, starter reduction gear | 1 | |
| 3 | P157QMJ. 06D. 3-00 | 电起动物离合器内轮组合 GEAR COMP, STARTING CLUTCH | 1 | |
| 4 | P157QMJ. 06D. 2-08 | 罩盖 OUTER COMP, starting clutch | 1 | |
| 5 | P157QMJ. 06D. 2-01 | 压盖 FLANGE, starting clutch | 1 | |
| 6 | P157QMJ. 06D. 2-04 | 弹簧 SPRING, starting clutch roller | 3 | |
| 7 | P157QMJ. 06D. 2-05 | 顶销 CAP, starting clutch rollerspring | 3 | |
| 8 | P157QMJ. 06D. 1-00 | 起动物电机组合 MOTOR ASSY., starter | 1 | |
| 9 | P157QMJ. 06D. 1. 1-00 | 起动物电机线束组合 CABLE, starter motor | 1 | |
| 10 | GB70-85 | 螺栓 M6 × 10 BOLT, socket M6 × 10 | 3 | |
| 11 | P157QMJ. 03-16 | 锁定螺母 NUT, lock | 1 | |
| 12 | P157QMJ. 03-19 | 垫圈 WASHER, thrust | 1 | |
| 13 | P157QMJ. 06D. 2-07 | 定位销 Φ 5 × 6 PIN, cover, Φ 5 × 6 | 1 | |
| 14 | P157QMJ. 03-15 | 半圆键 25 × 14 × 4 KEY, woodruff 25 × 14 × 4 | 1 | |
| 15 | P157QMJ. 06D. 2-06 | 滚柱 Φ 10 × 10 ROLLER, Φ 10 × 10 | 3 | |
| 16 | GB/T12764-92 | 滚柱轴承 28 × 32 × 17 BEARING, needle, 28 × 32 × 17 | 1 | |

FIG. 11

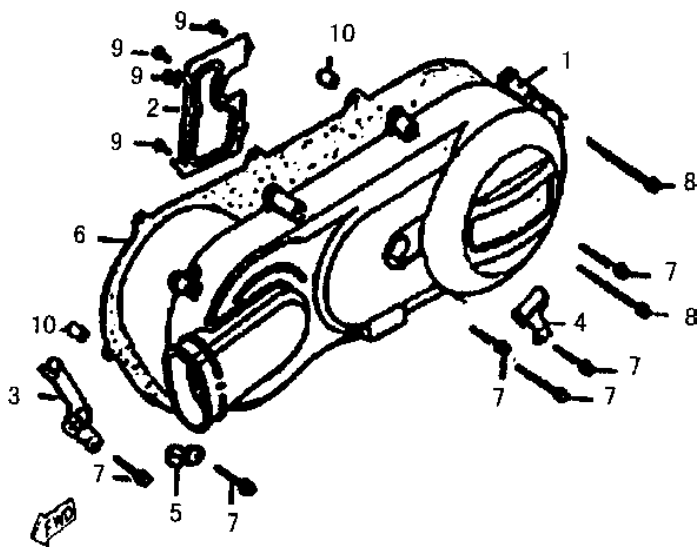


图 11
FIG. 11

左箱盖
LEFT CRANKCASE COVER

| 序号 Ref.No. | 代号 Part No. | 名称及规格 Description | 数量 Q'ty | 备注 Remarks |
|---------------|------------------|----------------------|----------------------------|---------------|
| 1 | P157QMJ-A. 01-18 | 左箱盖 | COVER, LH | 1 |
| 2 | P157QMJ. 01-26 | 通气导板 | PLATE, LH, cover | 1 |
| 3 | P157QMJ. 01-20 | 节流导线夹 | CLAMP, throttle cable | 1 |
| 4 | P157QMJ. 01-21 | 刹车导线夹 | CLAMP, brake cable | 1 |
| 5 | P157QMJ. 01-24 | 溢流管夹 | CLAMP, breather drain tube | 1 |
| 6 | P157QMJ-A. 01-17 | 左箱盖垫片 | GASKET, L. cover | 1 |
| 7 | GB5787-86 | 螺栓 M6 × 40 | BOLT, flange M6 × 40 | 6 |
| 8 | GB5787-86 | 螺栓 M6 × 65 | BOLT, flange M6 × 65 | 2 |
| 9 | GB845-85 | 螺钉 M4 × 8 | SCREW, tapping M4 × 8 | 4 |
| 10 | 139QMB. 01-14 | 定位销 Φ 8 × 14 | PIN, dowel Φ 8 × 14 | 2 |

FIG. 12

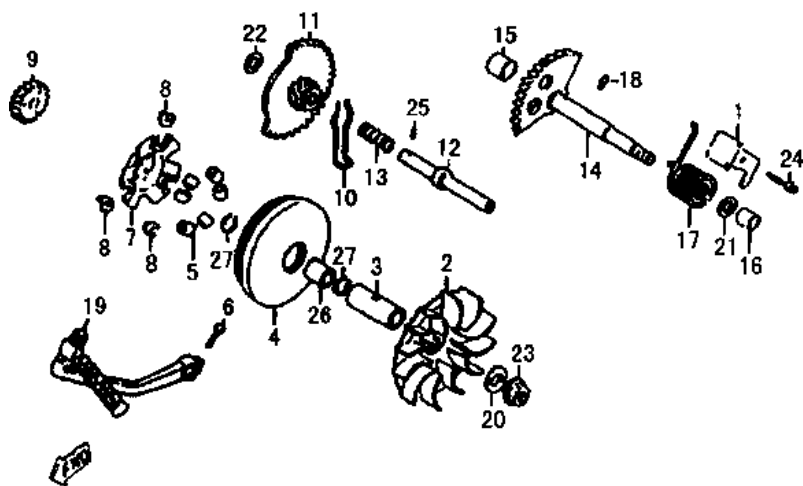


图 12
FIG. 12

驱动盘与反冲起动
DRIVEN FACE AND KICK STARTER

| 序号 Ref.No. | 代号 Part No. | 名称及规格 Description | 数量 Q'ty | 备注 Remarks |
|---------------|-------------------|----------------------|------------|---------------|
| 1 | P157QMJ. 06-05 | 挡板 | 1 | |
| 2 | P157QMJ. 04-02 | 固定驱动盘 | 1 | |
| 3 | P157QMJ. 04-05 | 定位套 | 1 | |
| 4 | P157QMJ. 04. 1-01 | 移动式驱动盘 | 1 | |
| 5 | P157QMJ. 5-00 | 滚柱 | 1 | |
| 6 | GB5782-86 | 螺栓 M6 × 24 | 6 | |
| 7 | P157QMJ. 04-04 | 导轨板 | 1 | |
| 8 | P157QMJ. 04-06 | 缓冲块 | 1 | |
| 9 | P157QMJ. 06-04 | 起动齿轮 | 3 | |
| 10 | P157QMJ. 06-03 | 卡簧 | 1 | |
| 11 | P157QMJ. 06. 2-01 | 起动惰齿轮组合 | 1 | |
| 12 | P157QMJ. 06-09 | 起动惰轮轴 | 1 | |
| 13 | P157QMJ. 06-01 | 弹簧 | 1 | |
| 14 | P157QMJ. 06. 3-00 | 起动轴组合 | 1 | |
| 15 | P157QMJ. 06-06 | 衬套 12 × 16 × 12 | 1 | |
| 16 | P157QMJ. 06-08 | 起动轴衬套 14 × 18 × 16 | 1 | |
| 17 | P157QMJ. 06-07 | 起动轴回位弹簧 | 1 | |
| 18 | P157QMJ. 06. 3-03 | 特殊销 | 1 | |
| 19 | P157QMJ. 06. 1-00 | 起动杆组合 | 1 | |
| 20 | P157QMJ. 04-14 | 大平垫 | 1 | |
| 21 | N151FMG. 06-08 | 推力垫圈 | 1 | |
| 22 | P157QMJ. 06-02 | 垫圈 | 1 | |
| 23 | P157QMJ. 04-15 | 螺母 M12 | 1 | |
| 24 | GB5787-86 | 螺栓 M6 × 12 | 1 | |
| 25 | GB119-86 | 销 Φ 3 × 8 | 1 | |
| 26 | P157QMJ. 04. 1-02 | 衬套 | 1 | |
| 27 | GB895. 1-86 | 挡圈 | 2 | |

FIG.13

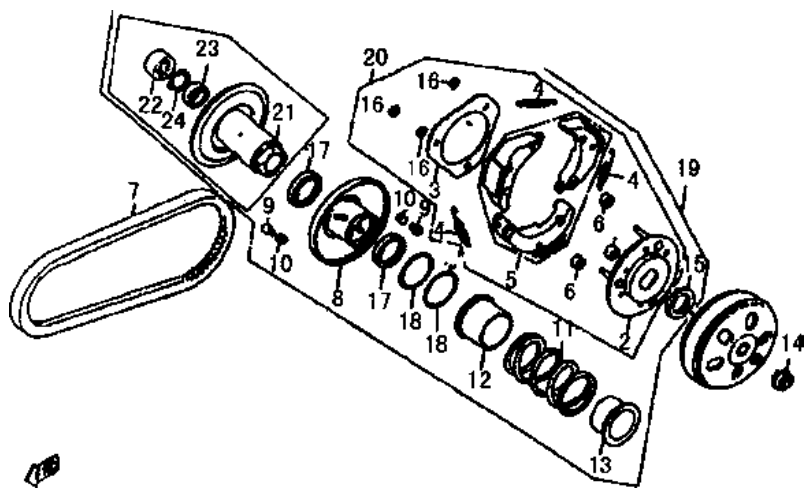


图 13
FIG. 13

传动皮带轮
DRIVEN PULLEY

| 序号 Ref.No. | 代号 Part No. | 名称及规格 Description | 数量 Q'ty | 备注 Remarks |
|---------------|---------------------|----------------------|-------------------------------|---------------|
| 1 | P157QMJ.04.3-00 | 离合器大鼓 | HUB ASSY, clutch | 1 |
| 2 | P157QMJ.04.4.1.1-00 | 传动盘组合 | CLUTCH ASSY, drive | 1 |
| 3 | P157QMJ.04.4.1-03 | 侧垫 | PLATE, clutch side | 1 |
| 4 | P157QMJ.04.4.1-01 | 拉簧 | SPRING, clutch | 3 |
| 5 | P157QMJ.04.4.1.2-00 | 摩擦蹄块组合 | WEIGHT SET, clutch | 1 |
| 6 | P157QMJ.04.4.1-02 | 导向胶套 | RUBBER, clutch damper | 3 |
| 7 | P157QMJ-A.04-03 | 皮带 | BELT, drive | 1 |
| 8 | P157QMJ.04.4.2-00 | 移动从动盘组合 | FACE COMP, movable driven | 1 |
| 9 | P157QMJ.04.4-08 | 导销 | PIN, roller guide | 3 |
| 10 | P157QMJ.04.4-09 | 导销滚子 | ROLLER, guide | 3 |
| 11 | P157QMJ.04.4-03 | 压簧 | SPRING, driven face | 1 |
| 12 | P157QMJ.04.4-04 | 移动从动面座 | COLLAR, seal | 1 |
| 13 | P157QMJ.04.4-02 | 弹簧导套 | COLLAR, spring | 1 |
| 14 | P157QMJ.04-15 | 螺母 M12 | NUT, compressor FLANGE M12 | 1 |
| 15 | 139QMB.04.4-01 | 螺母 | NUT | 1 |
| 16 | H1E41QMB.04.3-04 | E 型挡圈 | CIRCLIP | 3 |
| 17 | P157QMJ.04.4-10 | 油封 34 × 41 × 4 | SEAL, driven face 34 × 41 × 4 | 2 |
| 18 | H1E41QMB.04-26 | O 型圈 | O-RING, pinion cap | 2 |
| 19 | P157QMJ.04.4-00 | 从动皮带轮组件 | PULLEY ASSY, driven | 1 |
| 20 | P157QMJ.04.4.1-00 | 传动盘组合 | PLATE ASSY, driven | 1 |
| 21 | P157QMJ.04.4.3-00 | 固定从动盘组合 | FACE COMP, driven | 1 |
| 22 | P157QMJ.04.4-06 | 滚针轴承 | BEARING, needle | 1 |
| 23 | H1E52QMG.04-24 | 轴承 | BEARING | 1 |
| 24 | GB893.1-86 | 挡圈 Φ 28 | CIRCLIP, IN Φ 28 | 1 |

FIG. 14

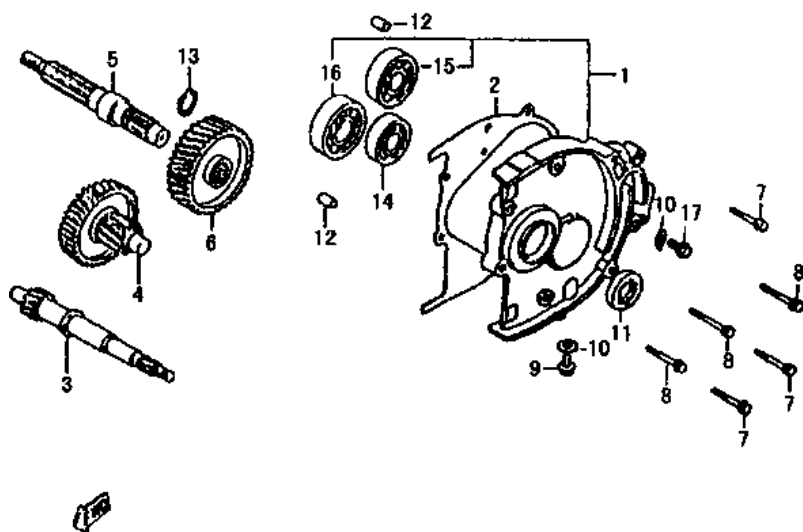


图 14
FIG. 14

传动系
TRANSMISSION

| 序号 Ref.No. | 代号 Part No. | 名称及规格 Description | 数量 Q'ty | 备注 Remarks |
|---------------|-------------------|----------------------|------------------------|---------------|
| 1 | P157QMJ. 01-07 | 齿轮箱盖 | COVER, gear box | 1 |
| 2 | P157QMJ. 01-09 | 齿轮箱盖垫片 | GASKET, gear box | 1 |
| 3 | P157QMJ. 04-09 | 驱动轴 | SHAFT, drive | 1 |
| 4 | P157QMJ. 04. 2-00 | 惰轮轴组合 | SHAFT, idle | 1 |
| 5 | P157QMJ-A. 04-11 | 后轴 | SHAFT, final | 1 |
| 6 | P157QMJ. 04-13 | 后轴从动齿轮 | GEAR, final | 1 |
| 7 | GB5787-86 | 螺栓 M6 × 28 | BOLT, flange M6 × 28 | 3 |
| 8 | GB5787-86 | 螺栓 M6 × 35 | BOLT, FLANGE M6 × 35 | 3 |
| 9 | 139QMB. 01-10 | 放油螺栓 | BOLT, drain oil | 1 |
| 10 | 139QMB. 01-11 | 垫圈 Φ 8 | WASHER Φ 8 | 2 |
| 11 | 139QMB. 04-07 | 驱动轴油封 19 × 32 × 6 | OIL SEAL 19 × 32 × 6 | 1 |
| 12 | 139QMB. 01-14 | 定位销 Φ 8 × 14 | PIN, dowl Φ 8 × 14 | 2 |
| 13 | 139QMB. 04-12 | 轴用挡圈 Φ 20 | CIRCLIP, external Φ 20 | 1 |
| 14 | GB/T276-94 | 向心球轴承 6202 | BEARING, 6202 | 1 |
| 15 | GB/T276-94 | 向心球轴承 6203 | BEARING, 6203 | 1 |
| 16 | GB/T276-94 | 向心球轴承 6204 | BEARING, 6204 | 1 |
| 17 | 139QMB. 01-12 | 注油螺栓 | PLUG, oil | 1 |

FIG. 15

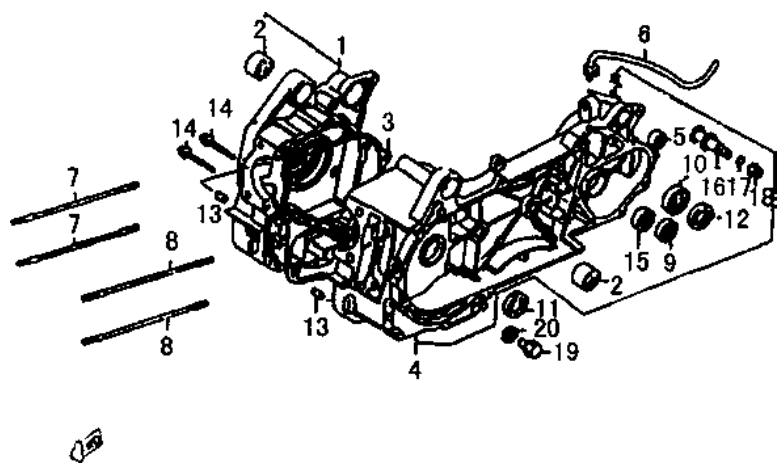


图 15
FIG. 15

曲轴箱
CRANKCASE

| 序号 Ref.No. | 代号 Part No. | 名称及规格 Description | 数量 Q'ty | 备注 Remarks |
|---------------|-------------------|----------------------|---------------------------|---------------|
| 1 | P157QMJ.01.2-00 | 右箱体组合 | CRANKCASE ASSY., RH | 1 |
| 2 | 139QMB.01.5-00 | 前减震套组合 | BUSH, engine mount | 2 |
| 3 | P157QMJ.01-04 | 箱体垫片 | GASKET, crankcase | 1 |
| 4 | P157QMJ-A.01.1-00 | 左箱体组合 | CRANKCASE ASSY., LH | 1 |
| 5 | 139QMB.01.4-00 | 后减震套组合 | BUSH, rear shock absorber | 1 |
| 6 | P157QMJ.01-27 | 齿轮箱通气管 | TUBE, duct | 1 |
| 7 | P157QMJ.02-30 | 双头螺栓M8×188 | BOLT, STUD, M8×188 | 2 |
| 8 | P157QMJ.02-04 | 双头螺栓M8×196 | BOLT, STUD, M8×196 | 2 |
| 9 | GB/T276-94 | 向心球轴承6301 | BEARING, 6301 | 1 |
| 10 | GB/T276-94 | 向心球轴承6004 | BEARING, 6004 | 1 |
| 11 | 139QMB.03-17 | 左轴油封19.80×30×5 | OIL SEAL, 19.80×30×5 | 1 |
| 12 | 139QMB.04-10 | 后轴油封27×42×7 | OIL SEAL, 27×42×7 | 1 |
| 13 | 139QMB.01-14 | 定位销Φ8×14 | PIN, DOWEL, Φ8×14 | 2 |
| 14 | GB5787-86 | 螺栓M6×50 | BOLT, flange, M6×50 | 2 |
| 15 | GB/T276-94 | 向心球轴承6002 | BEARING, 6002 | 1 |
| 16 | 139QMB.01.3-01 | 刹车固定销 | PIN, brake shoe anchor | 1 |
| 17 | 139QMB.01-08 | O型圈 | O-RING | 1 |
| 18 | GB6187-86 | 螺母M8 | NUT, flange M8 | 1 |
| 19 | 244FMI.01-14 | 螺母M12 | NUT, flange M12 | 1 |
| 20 | 244FMI.01-15 | 垫圈12 | WASHER, drain plug 12 | 1 |

FIG. 16

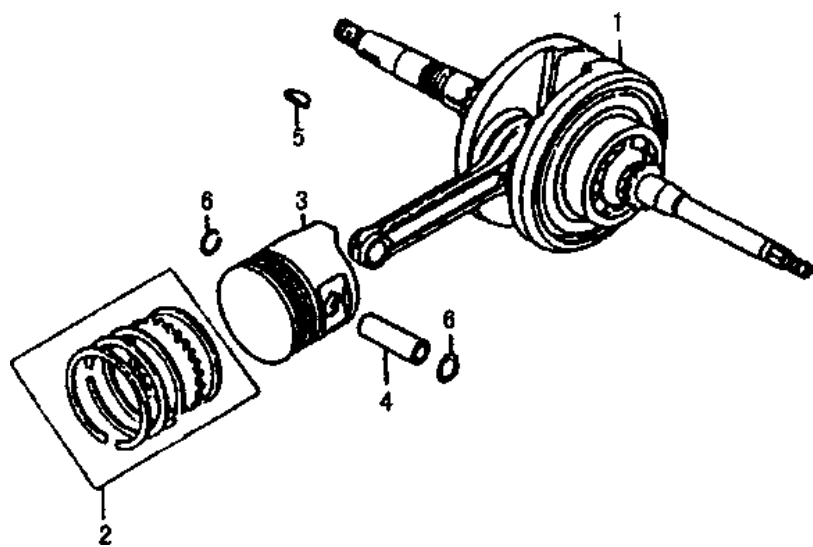


图 16
FIG. 16

曲轴·活塞
CRANK SHAFT·PISTON

| 序号 Ref.No. | 代号 Part No. | 名称及规格 Description | 数量 Q'ty | 备注 Remarks |
|---------------|----------------|----------------------|------------|---------------|
| 1 | P157QMJ. 03-00 | 曲柄连杆组合 | 1 | |
| | | CRANKSHAFT COMP | | |
| 2 | P157QMJ. 03-10 | 活塞环组 | 1 | |
| | 11 | | | |
| | 12 | | | |
| 3 | P157QMJ. 03-09 | 活塞 | 1 | |
| 4 | P157QMJ. 03-06 | 活塞销 | 1 | |
| 5 | P157QMJ. 03-15 | 半圆键 | 1 | |
| 6 | P157QMJ. 03-18 | 活塞销挡圈 | 2 | |
| | | CLIP, piston pin | | |

FIG. 17

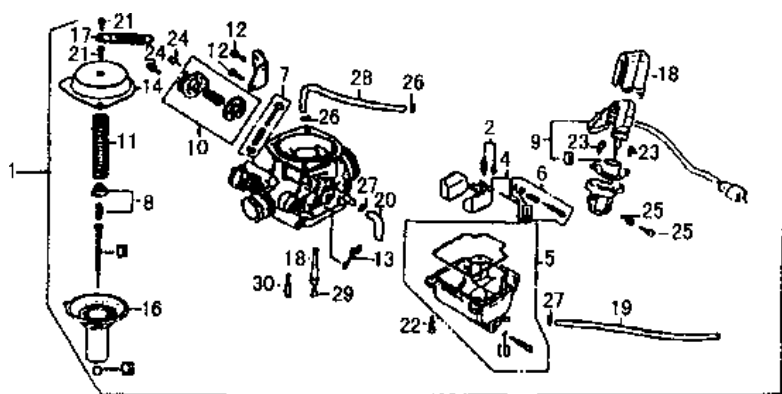


图 17
FIG. 17

化油器
CARBURETOR

| 序号 Ref.No. | 代号 Part No. | 名称及规格 Description | 数量 Q'ty | 备注 Remarks |
|---------------|----------------|----------------------|--------------------------|---------------|
| 1 | P157QMJ. 08-00 | 化油器 | CARBURETOR ASSY | 1 |
| 2 | | 浮子阀 | VALVE SET, float | 1 |
| 3 | | 油针 | NEEDLE SET, jet | 1 |
| 4 | | 浮子组 | FLOAT SET | 1 |
| 5 | | 浮子室组 | CHAMBER SET, float | 1 |
| 6 | | 螺钉组 A | SCREW SET A | 1 |
| 7 | | 螺钉组 B | SCREW SET B | 1 |
| 8 | | 板组 | PLATE SET, valve | 1 |
| 9 | | 启动阀组 | VALVE SET, starter | 1 |
| 10 | | 阻风阀组 | VALVE SET, air cut | 1 |
| 11 | | 弹簧 | SPRING, compression coil | 1 |
| 12 | | 螺钉 M5 × 12 | SCREW, PAN, M5 × 12 | 2 |
| 13 | | 垫片 (圈) 组 | GASKET SET | 1 |
| 14 | | 真空活塞阀盖 | TOP COMP | 1 |
| 15 | | 真空活塞阀 | PISTON COMP, vacuum | 1 |
| 16 | | 油针支座 | HOLDER, needle jet | 1 |
| 17 | | 板夹 | BINDER | 1 |
| 18 | | 启动阀盖 | CAP, holder | 1 |
| 19 | | 溢流管 | TUBE | 1 |
| 20 | | 真空管 | TUBE | 1 |
| 21 | | 螺钉 M4 × 8 | SCREW, PAN, M4 × 8 | 2 |
| 22 | | 螺钉 M4 × 14 | SCREW, PAN, M4 × 14 | 1 |
| 23 | | 螺钉 M4 × 8 | SCREW-WASHER, M4 × 8 | 1 |
| 24 | | 螺钉 M4 × 10 | SCREW-WASHER, M4 × 8 | 2 |
| 25 | | 螺钉 M4 × 12 | SCREW-WASHER, M4 × 8 | 2 |

FIG.17

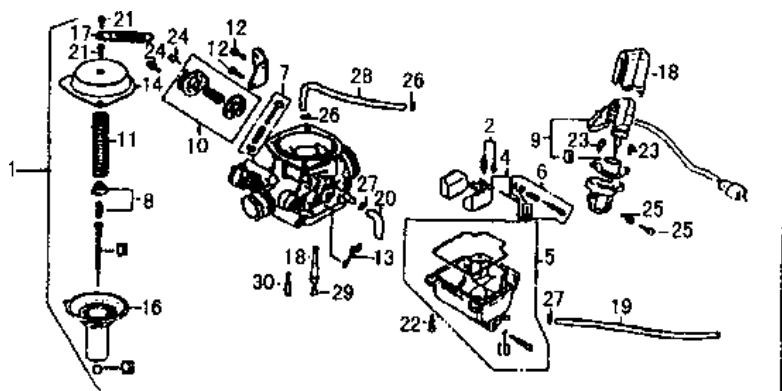


图 17
FIG. 17

化油器
CARBURETOR

| 序号 Ref.No. | 代号 Part No. | 名称及规格 Description | 数量 Q'ty | 备注 Remarks |
|---------------|----------------|---|------------|---------------|
| 26 | | 管夹 CLIP B7, tube | 2 | |
| 27 | | 管夹 CLIP B8, tube | 2 | |
| 28 | | 橡皮管 $\Phi 3.5 \times 210$ TUBE, $\Phi 3.5 \times 210$ | 1 | |
| 29 | | 主喷油嘴 JET, main | 1 | |
| 30 | | 慢速喷油嘴 JET, slow | 1 | |

FIG. 18

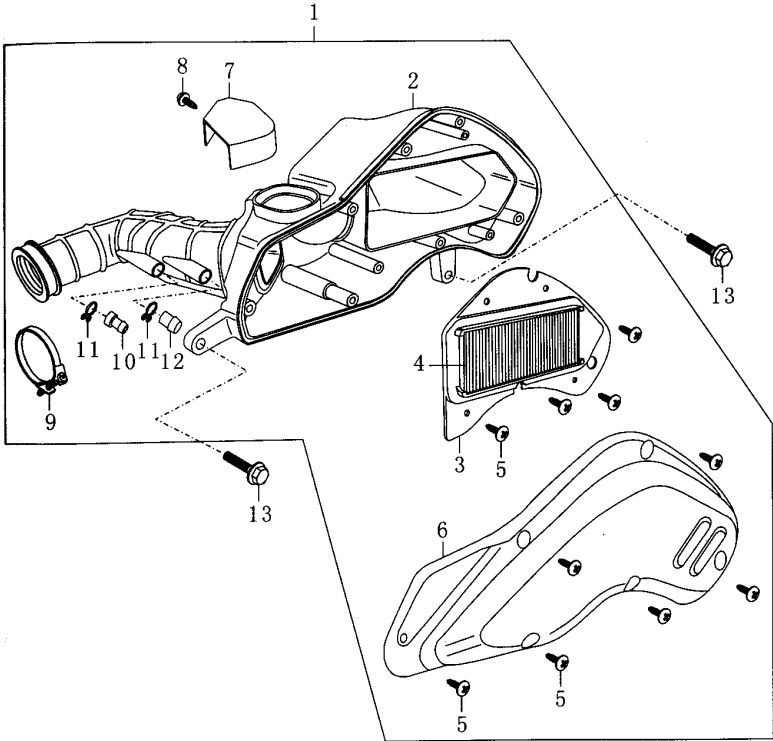


图 18
FIG. 18

空气滤清器
AIR CLEANER

| 序号 Ref.No. | 代号 Part No. | 名称及规格 Description | 数量 Q'ty | 备注 Remarks |
|---------------|-----------------|----------------------|-------------------------|---------------|
| 1 | P157QMJ.11-00 | 空气滤清器组合 | Air cleaner assy | 1 |
| 2 | | 壳体组合 | Case assy, air cleaner | 1 |
| 3 | | 滤芯支架 | Frame, filter | 1 |
| 4 | | 滤芯 | Element, air cleaner | 1 |
| 5 | | 自攻螺钉 ST4. 8 × 16 | Screw ST4. 8 × 16 | 10 |
| 6 | | 空滤器盖 | Cover comp, air cleaner | 1 |
| 7 | | 进气口护罩 | Guard | 1 |
| 8 | | 自攻螺钉 ST4. 2 × 13 | Screw ST4. 2 × 13 | 1 |
| 9 | P157QMJ.11.1-00 | 卡箍组合 | Clamp, connecting tube | 1 |
| 10 | | 管塞 2 通 | Plug pipe | 1 |
| 11 | | 堵头 | Plug | 1 |
| 12 | | 卡夹 | Clamp, connecting tube | 2 |
| 13 | GE9074.13-88 | 螺栓 M6 × 30 | Bolt M6 × 30 | 2 |

FIG. 19

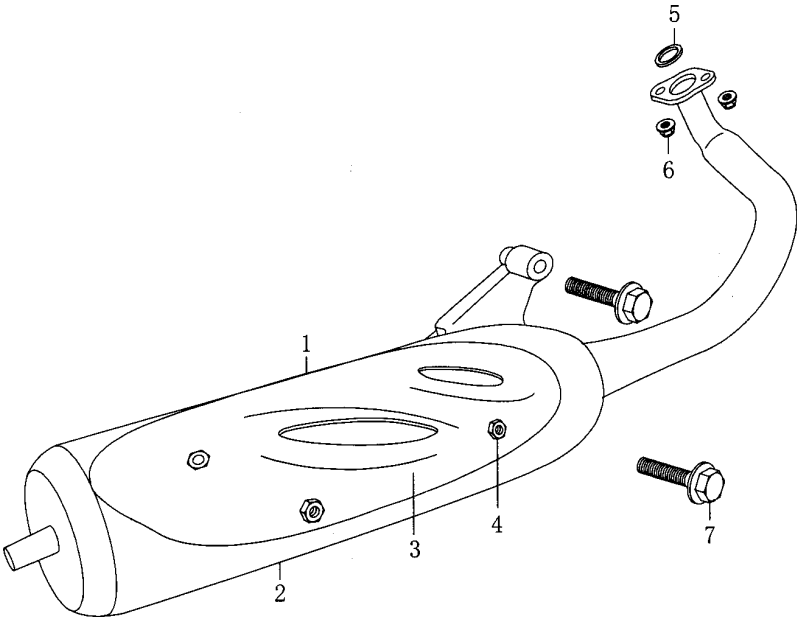


图 19
FIG. 19

消音器
MUFFLER

| 序号 Ref.No. | 代号 Part No. | 名称及规格 Description | 数量 Q'ty | 备注 Remarks |
|---------------|-----------------|----------------------|------------|---------------|
| 1 | P157QMJ.09-00 | 消音器焊接组合 | 1 | |
| 2 | | 消音器主体 | 1 | |
| 3 | | 消音器护罩 | 1 | |
| 4 | | 螺栓 | 3 | |
| 5 | P157QMJ.09.1-00 | 排气口垫圈 | 1 | |
| 6 | P157QMJ.09-01 | 六角加长螺母 M6 | 2 | |
| 7 | P157QMJ.09-02 | 六角法兰面螺栓 M8 × 70 | 2 | |

FIG. 20

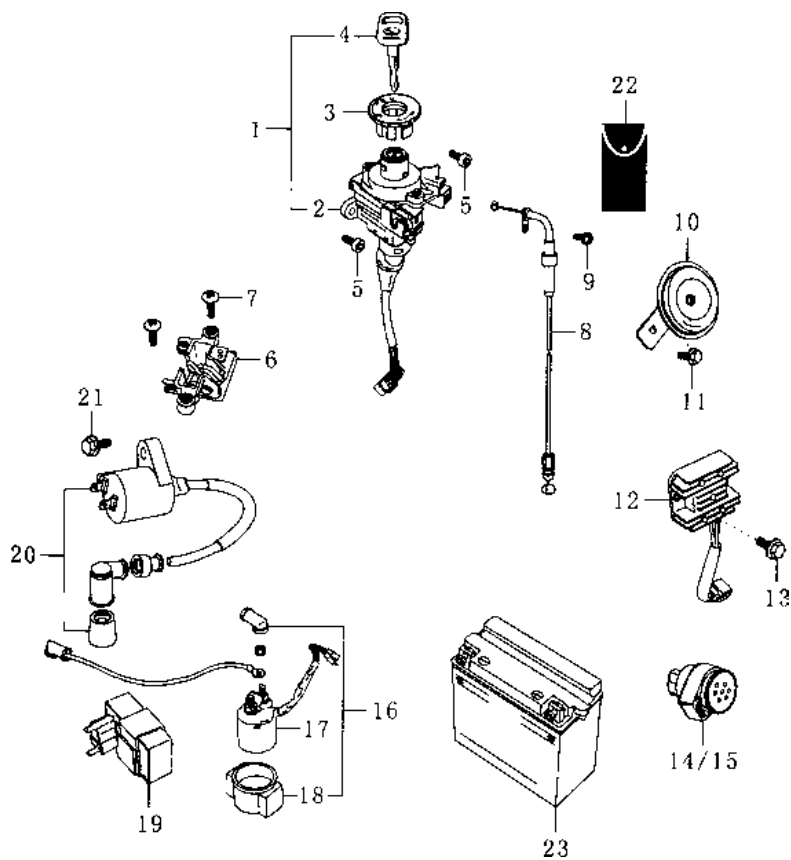
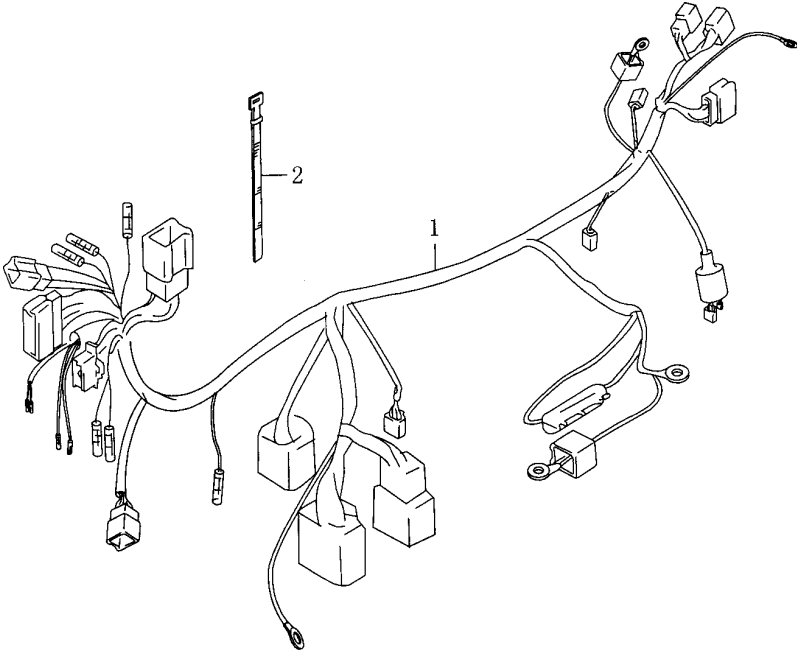


图 20
FIG. 20

电器件
ELECTRICAL

| 序号 Ref.No. | 代号 Part No. | 名称及规格 Description | 数量 Q'ty | 备注 Remarks |
|---------------|--------------------|----------------------|------------|---------------|
| 1 | XF125T-10E.65.1-00 | 点火开关锁组合 | 1 | |
| 2 | | 点火开关锁 | 1 | |
| 3 | | 锁盖 | 1 | |
| 4 | | 钥匙 | 2 | |
| 5 | GB819-85 | 十字沉头螺钉 M6 × 10 | 2 | |
| 6 | XF125T-10E.65.2-00 | 鞍座锁组合 | 1 | |
| 7 | GB823-88 | 十字盘头螺钉 M6 × 12 | 2 | |
| 8 | XF125T-IV.65.3-00 | 座锁拉紧线 | 1 | |
| 9 | | 螺钉弹垫组合 | 1 | |
| 10 | XF50QT-3.63-00 | 喇叭 | 1 | |
| 11 | GB5787-86 | 六角法兰面螺栓 M6 × 12 | 1 | |
| 12 | | CG125 稳压器总成 | 1 | |
| 13 | GB5787-86 | 六角法兰面螺栓 M6 × 12 | 2 | |
| 14 | XF125T-G.72-00 | 闪光器蜂鸣器 | 1 | |
| 15 | | 闪光器蜂鸣器胶套 | 1 | |
| 16 | | 启动继电器组合 | 1 | |
| 17 | XF125T-10D.70-01 | 启动继电器 | 1 | |
| 18 | XF125T-10D.70-02 | 启动继电器皮套 | 1 | |
| 19 | P157QMJ.07-03 | CDI | 1 | |
| 20 | P157QMJ.07-02 | 高压包 | 1 | |
| 21 | GB5787-86 | 六角法兰面螺栓 M6 × 12 | 1 | |
| 22 | XF125T-B.80-00 | 随车工具 | 1 | |
| 23 | | 蓄电池总成 GTX5L-BS | 1 | |

FIG. 21



FWD

图 21
FIG. 21

主线束
WIRING HARNESS

| 序号 Ref.No. | 代号 Part No. | 名称及规格 Description | 数量 Q'ty | 备注 Remarks |
|---------------|------------------|----------------------|------------|---------------|
| 1 | XF125T-10E.67-00 | 主线束 | 1 | |
| 1 A | | 主线束 | 1 | |
| 2 | | 扎带 | 6 | |
| 3 | | 保险丝 | 2 | |

FIG. 22

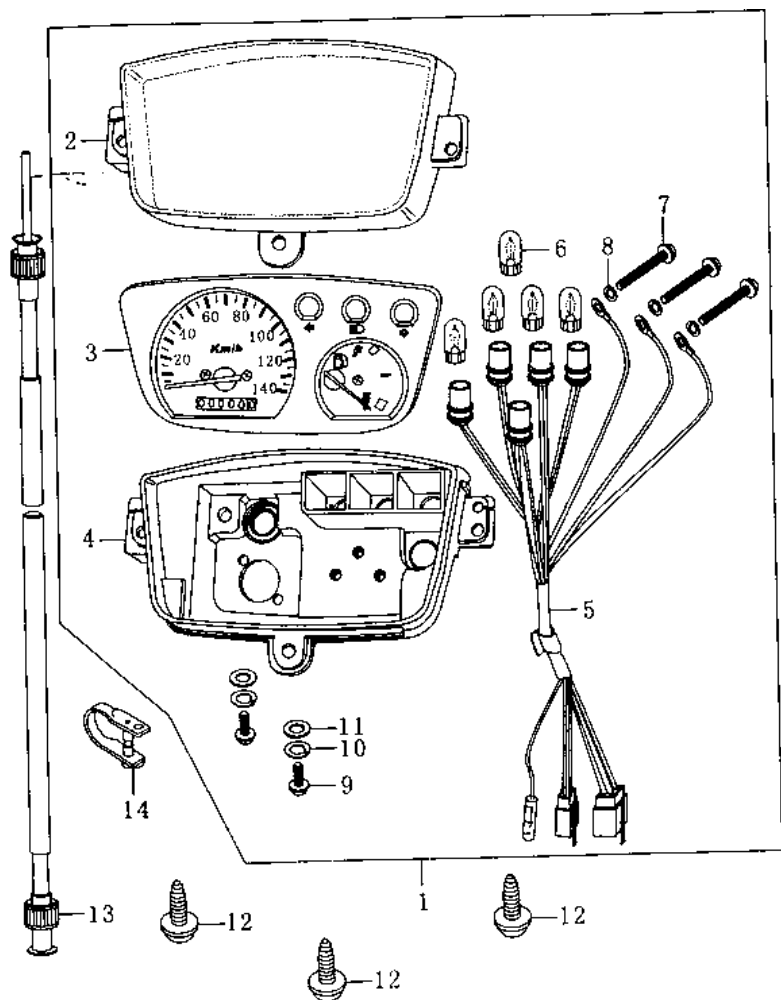


图 22
FIG. 22

速度里程表
SPEEDOMETER

| 序号 Ref.No. | 代号 Part No. | 名称及规格 Description | 数量 Q'ty | 备注 Remarks |
|---------------|--------------------|----------------------|--------------------|---------------|
| 1 | XF125T-10E.6A.1-00 | 里程表总成 | Speedometer assy | 1 |
| 2 | | 上壳体 | Cover, speedometer | 1 |
| 3 | ※ | 速度表表盘组合 | Dial plate assy | 1 |
| 4 | ※ | 下壳体 | Lower case | 1 |
| 5 | | 线束组合 | Wire assy | 1 |
| 6 | | 灯泡 | Bulb | 5 |
| 7 | ※ | 螺钉 | Screw | 3 |
| 8 | ※ | 弹簧垫圈 | Washer lock | 3 |
| 9 | | 螺钉 | Screw | 2 |
| 10 | | 弹簧垫圈 | Washer lock | 2 |
| 11 | | 垫圈 | Washer | 2 |
| 12 | GB845-85 | 自攻螺钉 ST4.2 × 12 | Screw ST4.2 × 12 | 2 |
| 13 | XF125T-10E.6A.2-00 | 软轴线组合 | Cable, speedometer | 1 |
| 14 | XF125T-B.6A-01 | 软轴线拢线夹 | Clamp | 1 |

FIG. 23

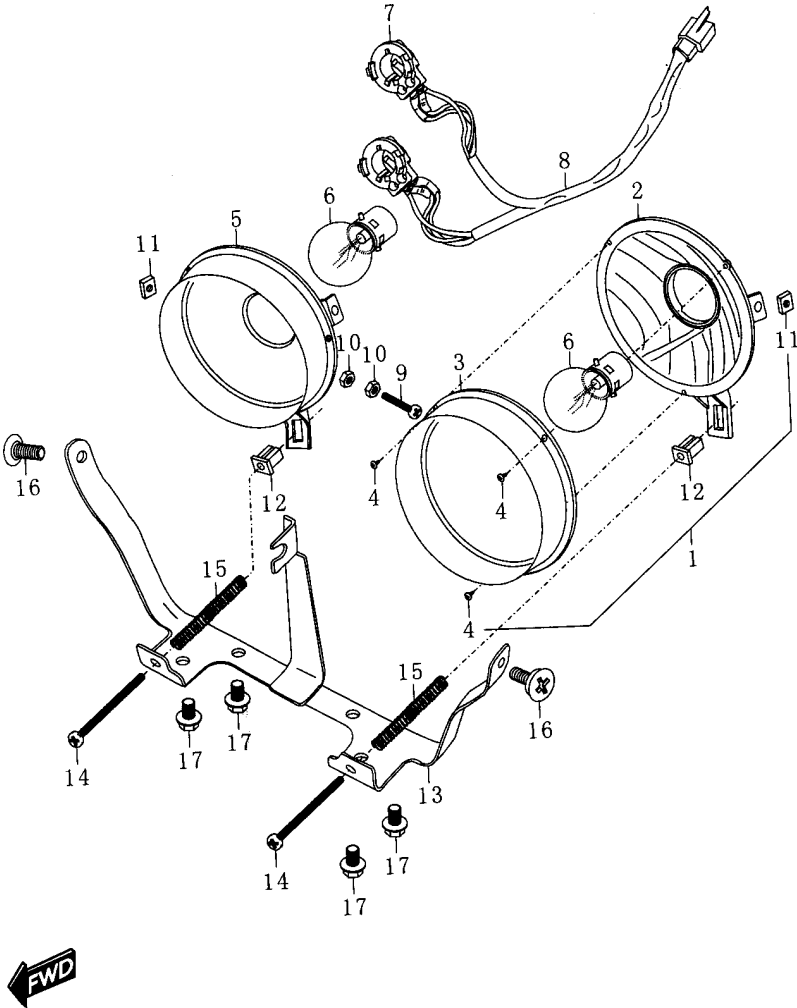


图 23
FIG. 23

前照灯
HEADLAMP

| 序号 Ref.No. | 代号 Part No. | 名称及规格 Description | 数量 Q'ty | 备注 Remarks |
|---------------|------------------|----------------------|------------|---------------|
| 1 | XF125T-10E.62-01 | 前大灯总成 | 1 | |
| 2 | | 左灯碗 | 1 | |
| 3 | | 灯罩 | 2 | |
| 4 | | 螺钉 | 6 | |
| 5 | | 右灯碗 | 1 | |
| 6 | | 灯泡 | 2 | |
| 7 | | 灯座组合 | 2 | |
| 8 | | 线束组合 | 1 | |
| 9 | | 螺钉 | 1 | |
| 10 | | 螺母 | 2 | |
| 11 | | 方螺母 | 2 | |
| 12 | | 橡胶塞 | 2 | |
| 13 | XF125T-10E.62-02 | 前大灯铁支架 | 1 | |
| 14 | | 螺钉 | 2 | |
| 15 | | 弹簧 | 2 | |
| 16 | | 螺钉 | 2 | |
| 17 | | 螺栓组合 M6 × 12 | 4 | |

FIG. 24

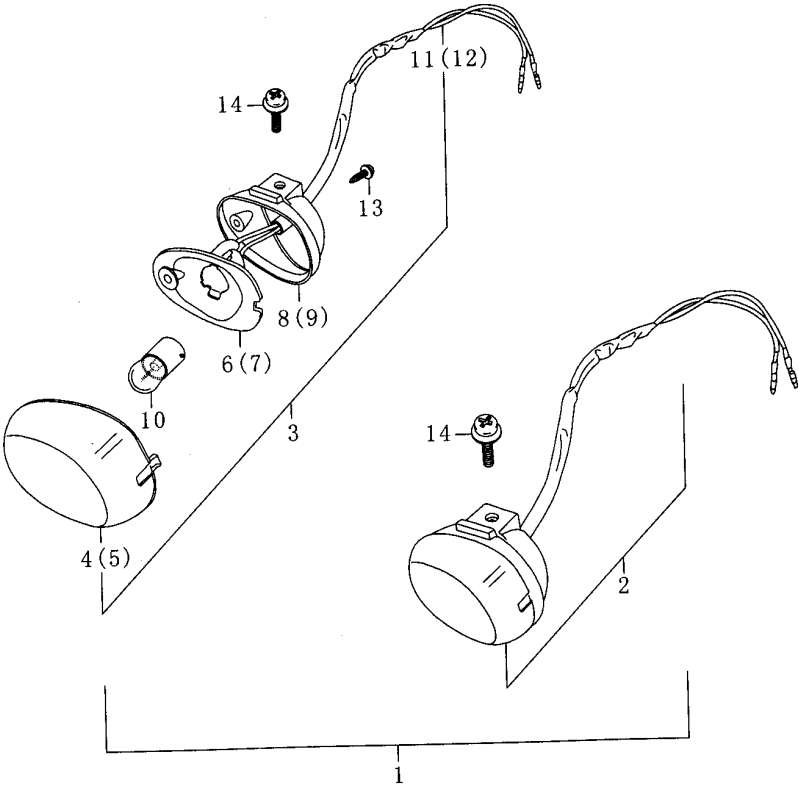


图 24
FIG. 24

转向灯
TURN SIGNAL LAMP

| 序号 Ref.No. | 代号 Part No. | 名称及规格 Description | 数量 Q'ty | 备注 Remarks |
|---------------|--------------------|----------------------|-----------------------------------|---------------|
| 1 | XF125T-10E.69-00 | 前左右转向灯总成 | Lamp assy, front turn | 1 |
| 2 | XF125T-10E.69.1-00 | 左前转向指示灯总成 | Turn aignal, front left | 1 |
| 3 | XF125T-10E.69.2-00 | 右前转向指示灯总成 | Turn aignal, front right | 1 |
| 4 | | 前左转向灯灯罩 | Lens, left front winker | 1 |
| 5 | | 前右转向灯灯罩 | Lens, right front winker | 1 |
| 6 | | 前左转向灯灯座组合 | Socket assy, left front | 1 |
| 7 | | 前右转向灯灯座组合 | Socket assy, right front | 1 |
| 8 | | 前左转向灯灯壳 | Cover, L front turnsignal lamp | 1 |
| 9 | | 前右转向灯灯壳 | Cover, R front turnsignal lamp | 1 |
| 10 | | 灯泡 | Bulb | 2 |
| 11 | | 前左转向灯线束组合 | Wireassy, L front turnsignal lamp | 1 |
| 12 | | 前右转向灯线束组合 | Wireassy, R front turnsignal lamp | 1 |
| 13 | | 螺钉 | Screw | 2 |
| 14 | GB9074.3-88 | 螺钉组合 M5 × 12 | Screw M5 × 12 | 2 |

FIG. 25

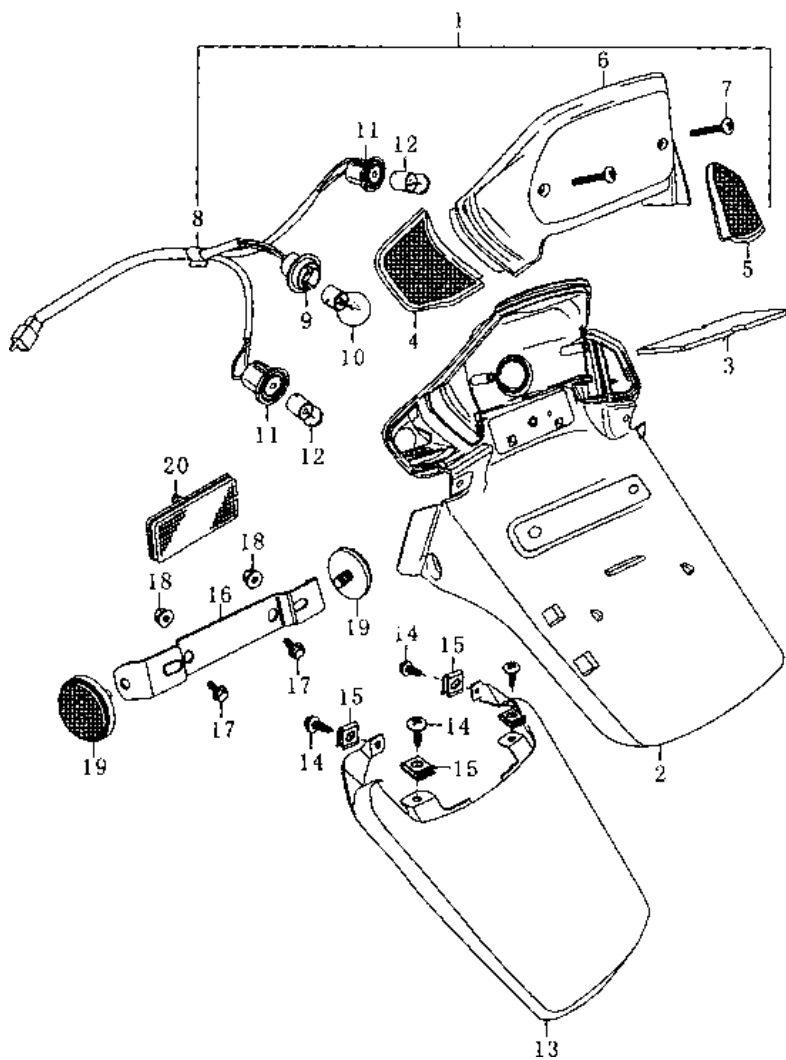


图 25 后尾灯 / 后挡泥板
 FIG. 25 REARCOMBINATIONLAMP/REARFENDER

| 序号 Ref.No. | 代号 Part No. | 名称及规格 Description | 数量 Q'ty | 备注 Remarks |
|---------------|--------------------|----------------------|-----------------------------|---------------|
| 1 | XF125T-10E.68-00 | 尾灯总成(一体) | Lamp assy, rear combination | 1 |
| 2 | XF125T-10E.38.1-01 | 后挡泥板 | Rear fender | 1 |
| 3 | | 反光镜片 | Lens | 1 |
| 4 | | 左转向灯罩 | Lens, rear left | 1 |
| 5 | | 右转向灯罩 | Lens, rear right | 1 |
| 6 | | 尾灯灯罩 | Lens, rear lamp | 1 |
| 7 | | 螺钉 | Screw | 2 |
| 8 | | 线束组合 | Wire assy, rear lamp | 1 |
| 9 | | 尾灯灯座 | Socket assy, taillight | 1 |
| 10 | | 灯泡 | Bulb | 1 |
| 11 | | 转向灯灯座 | Socket assy, turn signal | 2 |
| 12 | | 灯泡 | Bulb | 2 |
| 13 | XF125T-10E.38.1-02 | 后泥板下 | Rear fender, underside | 1 |
| 14 | GB845-85 | 自攻螺钉 ST4.2 × 16 | Screw ST4.2 × 16 | 4 |
| 15 | | 卡子 ST4.2 | Clamp | 4 |
| 16 | XF50QT-3E.99-03 | 后牌照支架 | Bracket, licenseplate | 1 |
| 17 | GB5787-86 | 六角法兰面螺栓 M6 × 12 | Bolt M6 × 12 | 2 |
| 18 | GB6177.1-2000 | 六角法兰面螺母 M6 | Nut M6 | 2 |
| 19 | XF125T-A.74-02 | 侧反射器 | Reflector, side | 2 |
| 20 | XF125T-A.74-01 | 后反射器 | Reflector, rear | 1 |

FIG. 26

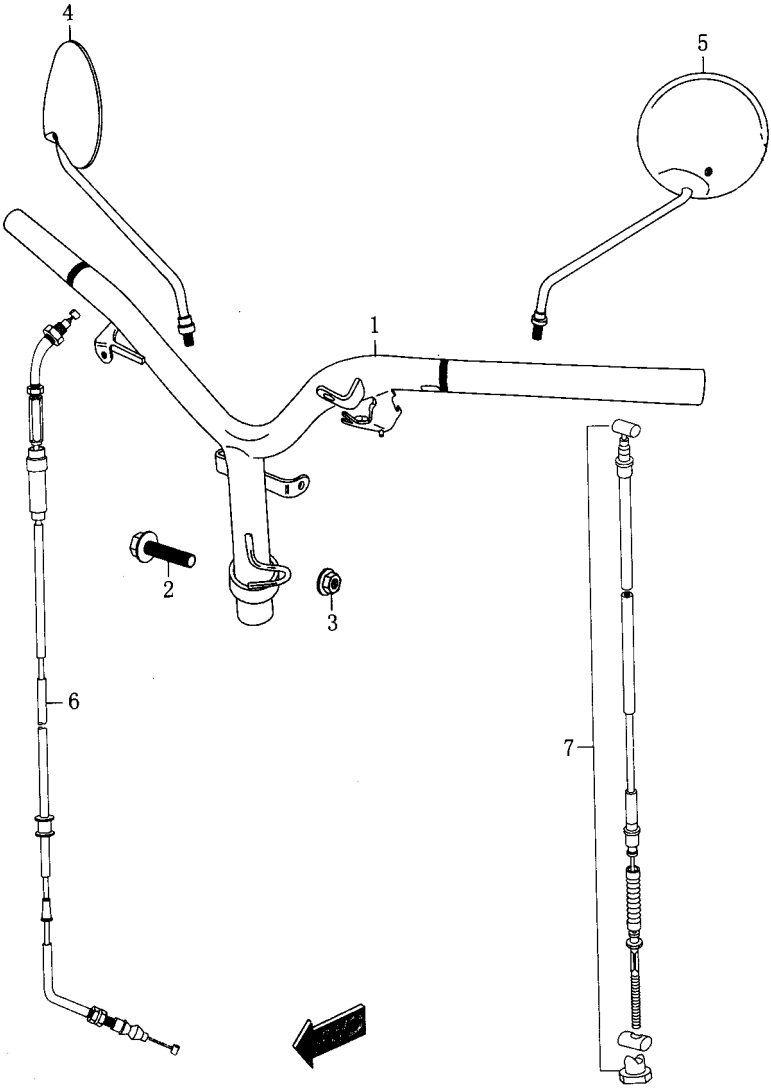


图 26
FIG. 26

车把
HANDLE BAR

| 序号 Ref.No. | 代号 Part No. | 名称及规格 Description | 数量 Q'ty | 备注 Remarks |
|---------------|--------------------|-----------------------------------|------------|---------------|
| 1 | XF125T-10E.32.1-00 | 车把焊接组合 Handle bar | 1 | |
| 2 | GB5787-86 | 六角法兰面螺栓 M10 × 45 Bolt M10 × 45 | 1 | |
| 3 | GB6187.1-2000 | 六角法兰面锁紧螺母 M10 Nut M10 | 1 | |
| 4 | XF125T-10E.32.7-00 | 右后视镜总成 Mirror, right | 1 | |
| 5 | XF125T-10E.32.6-00 | 左后视镜总成 Mirror, left | 1 | |
| 6 | XF125T-10D.32.8-00 | 油门线组合 Cable assy, throttle | 1 | |
| 7 | XF125T-10D.32.9-00 | 后刹车线组合 Cable, rear brake | 1 | |

FIG. 27

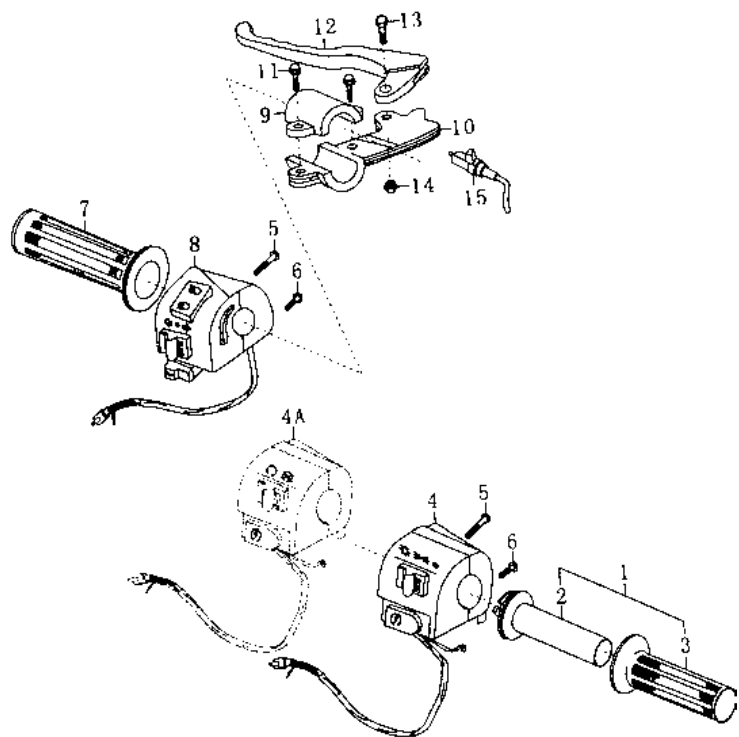


图 27
FIG. 27

手把
HANDLE SWITCH

| 序号 Ref.No. | 代号 Part No. | 名称及规格 Description | 数量 Q'ty | 备注 Remarks |
|---------------|---|----------------------|------------------------|---------------|
| 1 | XF125-2.32.3-00 | 右旋把组合 | Grip, throttle | 1 |
| 2 | * | 右旋把 | Grip right | 1 |
| 3 | * | 右握把 | Tube, throttle grip | 1 |
| 4 | XF50QT-6.66.2-00 | 右手把开关组合 | Switch assy. RH handle | 1 |
| 5 | <u>03411Q050253</u> GB/T818-2000 | 十字槽盘头螺钉 M5 × 25 | Screw M5 × 25 | 2 |
| 6 | <u>03411Q050163</u> GB/T818-2000 | 十字槽盘头螺钉 M5 × 16 | Screw M5 × 16 | 2 |
| 7 | XF125-2.32-2 | 左把套 | Grip left | 1 |
| 8 | XF50QT-6.66.1-00 | 左手把开关组合 | Switch assy, LH handle | 1 |
| 9 | <u>57511QAGZ000</u> XF50QT-6.32.2-01 | 左闸把座 | Bracket, handle left | 1 |
| 10 | XF50QT-3E.32.7-00 | 左闸把组合 | Lever, rear brake | 1 |
| 11 | 02104Q060254 | 六角法兰面螺栓 M6 × 25 | Bolt M6 × 25 | 2 |
| 12 | <u>57621QAGZ000</u> XF50QT-6.32.2-02 | 左闸把手 | Lever, rear brake | 1 |
| 13 | <u>57634QAGZ000</u> XF50QT-6.32.2-03 | 闸把安装螺栓 | Bolt | 1 |
| 14 | 05409Q041052 | 六角锁紧螺母 M5 | Nut M5 | 1 |
| 15 | | 刹车开关组合 | Switch assy, stop lamp | 1 |

FIG. 28

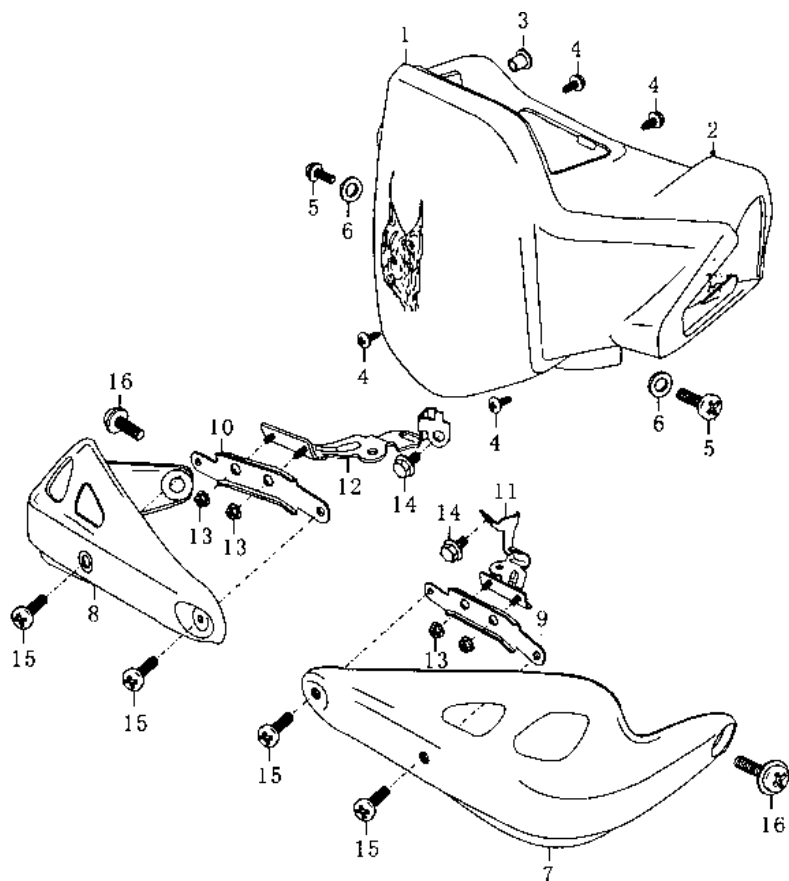
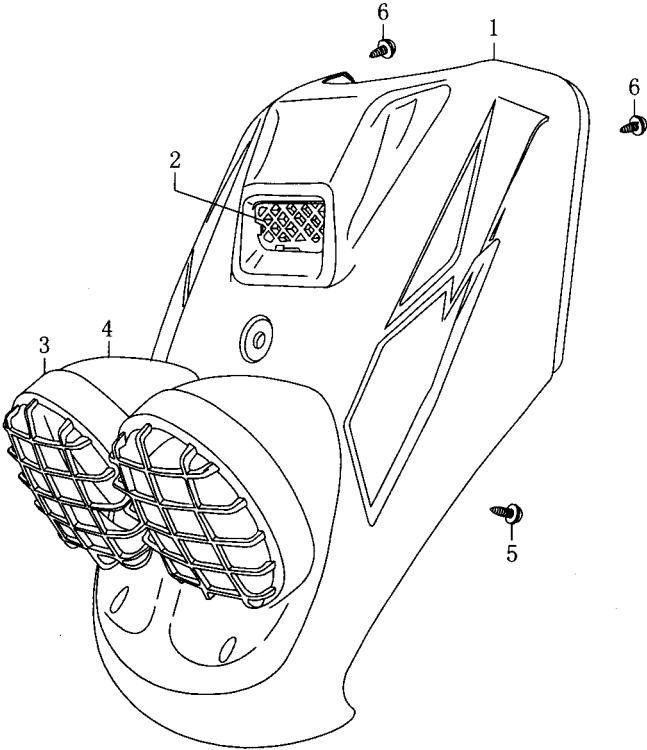


图 28
FIG. 28

把罩
COVER HANDLEBAR

| 序号 Ref.No. | 代号 Part No. | 名称及规格 Description | 数量 Q'ty | 备注 Remarks |
|---------------|--------------------|----------------------|------------------------|---------------|
| 1 | XF125T-10E.46-01 | 前把罩 (ABS) | Cover, front handlebar | 1 |
| 2 | XF125T-10E.46-02 | 把后罩 | Cover, rear handlebar | 1 |
| 3 | XF125T-10E.46-03 | 后把罩橡胶塞 | Rubber plug | 1 |
| 4 | GB845-85 | 自攻螺钉 ST4.2 × 12 | Screw ST4.2 × 12 | 4 |
| 5 | GB823-88 | 十字小盘头螺钉 M5 × 16 | Screw M5 × 16 | 2 |
| 6 | | 平垫圈 5 | Washer 5 | 2 |
| 7 | XF125T-10E.46-29 | 左手把罩 | Cover, left | 1 |
| 8 | XF125T-10E.46-28 | 右手把罩 | Cover, right | 1 |
| 9 | XF125T-10E.32.4-00 | 手把罩固定板(左) | Holder, left | 1 |
| 10 | XF125T-10E.32.5-00 | 手把罩固定板(右) | Holder, right | 1 |
| 11 | XF125T-10E.32.2-00 | 手把罩支架(左) | Bracket, left | 1 |
| 12 | XF125T-10E.32.3-00 | 手把罩支架(右) | Bracket, right | 1 |
| 13 | GB5787-86 | 六角法兰螺母 M5 | Nut M5 | 4 |
| 14 | GB5787-86 | 六角法兰螺栓 M6 × 12 | Bolt M6 × 12 | 2 |
| 15 | GB823-88 | 十字小盘头螺钉 M5 × 12 | Screw M5 × 12 | 2 |
| 16 | GB9074.8-88 | 螺钉组合件 M6 × 16 | Screw M6 × 16 | 2 |

FIG. 29



← FWD

图 29
FIG. 29

前面板
FRONT COVER

| 序号 Ref.No. | 代号 Part No. | 名称及规格 Description | 数量 Q'ty | 备注 Remarks |
|---------------|------------------|----------------------------------|------------|---------------|
| 1 | XF125T-10E.46-04 | 前面板 (ABS) Shieldleg, front | 1 | |
| 2 | XF125T-10E.46-05 | 喇叭罩 Cover, horn | 1 | |
| 3 | XF125T-10E.46-27 | 大灯卡圈 Circle, headlight | 1 | |
| 4 | XF125T-10E.46-26 | 大灯座 Seat, headlight | 1 | |
| 5 | GB845-85 | 自攻螺钉 ST4.2 × 16 Screw ST4.2 × 16 | 1 | |
| 6 | GB845-85 | 自攻螺钉 ST4.2 × 12 Screw ST4.2 × 12 | 2 | |

FIG. 30

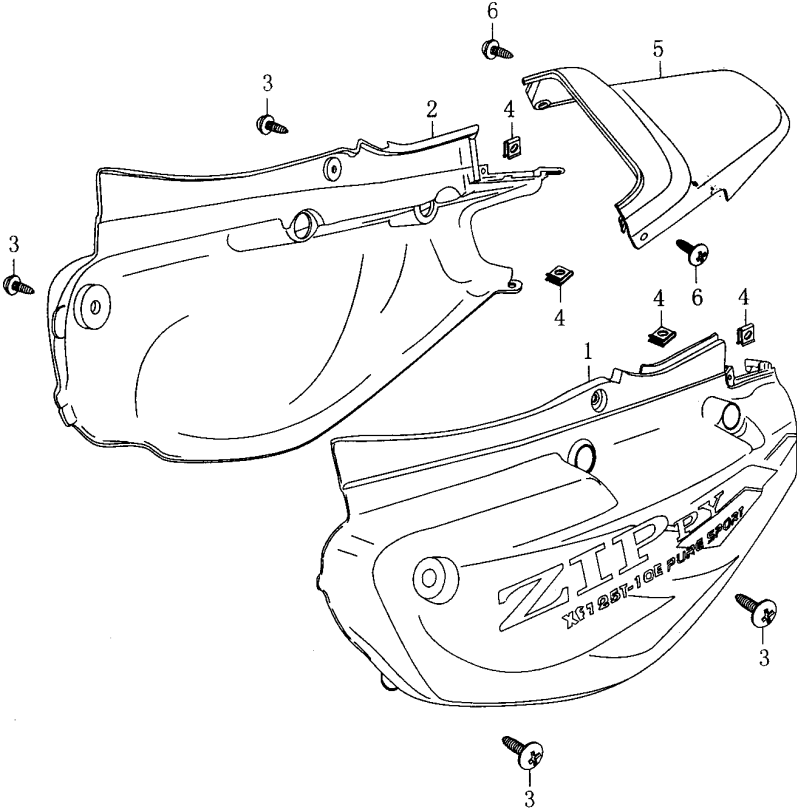


图 30
FIG. 30

车架罩
FRAME COVER

| 序号 Ref.No. | 代号 Part No. | 名称及规格 Description | | 数量 Q'ty | 备注 Remarks |
|---------------|------------------|----------------------|-------------------|------------|---------------|
| 1 | XF125T-10E.46-21 | 右护板(ABS) | Cover body, right | 1 | |
| 2 | XF125T-10E.46-22 | 左护板(ABS) | Cover body, left | 1 | |
| 3 | GB845-85 | 自攻螺钉 ST4. 2 × 16 | Screw ST4. 2 × 16 | 4 | |
| 4 | | 卡子 ST4. 2 | Nut ST4. 2 | 4 | |
| 5 | XF125T-10E.46-23 | 后中心盖(ABS) | Cover Rr. center | 1 | |
| 6 | GB845-85 | 自攻螺钉 ST4. 8 × 12 | Screw ST4. 8 × 12 | 2 | |

FIG. 31

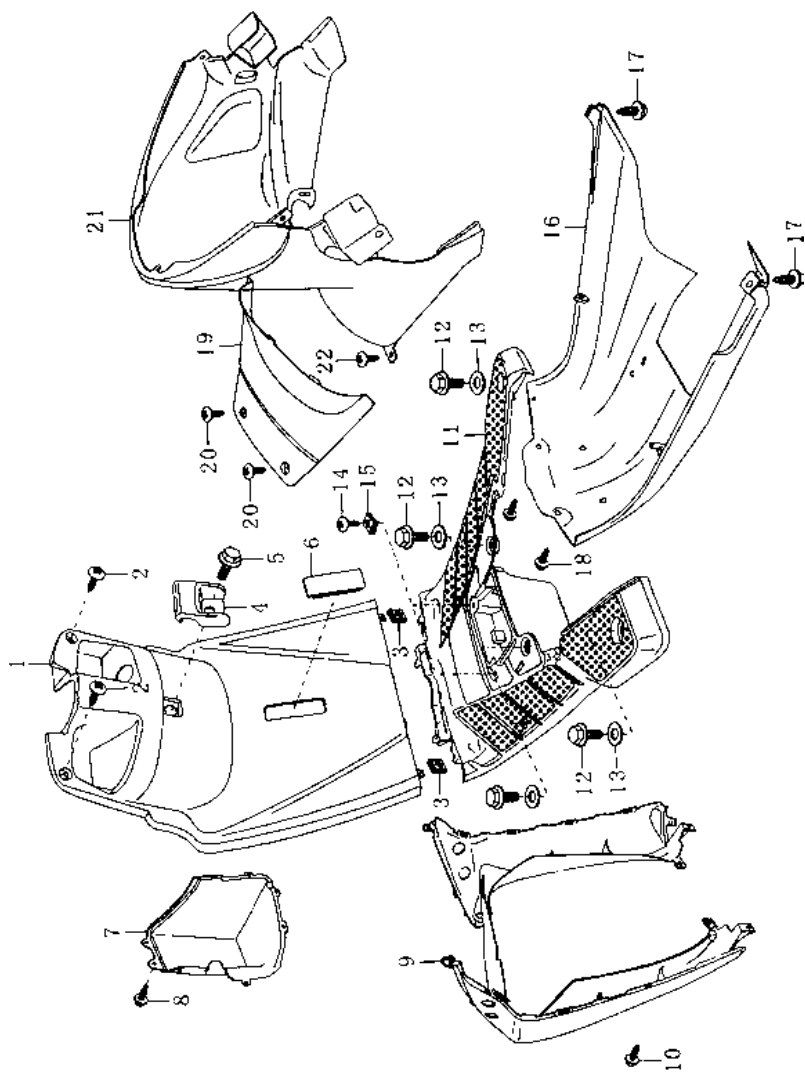


图 31
FIG. 31

车架护板
FRAME SHIELD

| 序号 Ref.No. | 代号 Part No. | 名称及规格 Description | 数量 Q'ty | 备注 Remarks |
|---------------|------------------|-------------------------|------------|---------------------------|
| 1 | XF125T-10E.46-06 | 内挡风板 | 1 | Shield inner box |
| 2 | GB845-85 | 自攻螺钉 ST4.2 × 12 | 2 | Screw ST4.2 × 12 |
| 3 | | 卡子 ST4.2 | 2 | Nut ST4.2 |
| 4 | XF125T-10E.46-14 | 挂勾 | 1 | Hook luggage |
| 5 | GB5787-86 | 六角法兰螺栓 M6 × 12 | 1 | Bolt M6 × 12 |
| 6 | XF125T-10E.46-15 | 字码盖 | 1 | Lid leg shield |
| 7 | XF125T-10E.46-07 | 工具箱 | 1 | Toolbox |
| 8 | GB845-85 | 自攻螺钉 ST4.2 × 12 | 8 | Screw ST4.2 × 12 |
| 9 | XF125T-10E.46-10 | 前围 | 1 | Shield down |
| 10 | GB845-85 | 自攻螺钉 ST4.2 × 16 | 2 | Screw ST4.2 × 16 |
| 11 | XF125T-10E.46-08 | 脚踏板 | 1 | Floor panel |
| 12 | GB5787-86 | 六角法兰螺栓 M6 × 12 | 6 | Bolt M6 × 12 |
| 13 | | 翻边垫圈 Φ 6.5- Φ 18 × 6 | 6 | Washer Φ 6.5- Φ 18 × 6 |
| 14 | GB845-85 | 自攻螺钉 ST4.2 × 16 | 2 | Screw ST4.2 × 16 |
| 15 | | 卡子 ST4.2 | 2 | Nut ST4.2 |
| 16 | XF125T-10E.46-16 | 下托 | 1 | Cover, under |
| 17 | GB845-85 | 自攻螺钉 ST4.2 × 16 | 2 | Screw ST4.2 × 16 |
| 18 | GB845-85 | 自攻螺钉 ST4.8 × 12 | 2 | Screw ST4.8 × 12 |
| 19 | XF125T-10E.46-19 | 电瓶盒盖 | 1 | Cover battery |
| 20 | GB845-85 | 自攻螺钉 ST4.8 × 12 | 2 | Screw ST4.8 × 12 |
| 21 | XF125T-10E.46-09 | 前中心盖 | 1 | Cover, center |
| 22 | GB845-85 | 自攻螺钉 ST4.8 × 12 | 2 | Screw ST4.8 × 12 |

FIG. 32

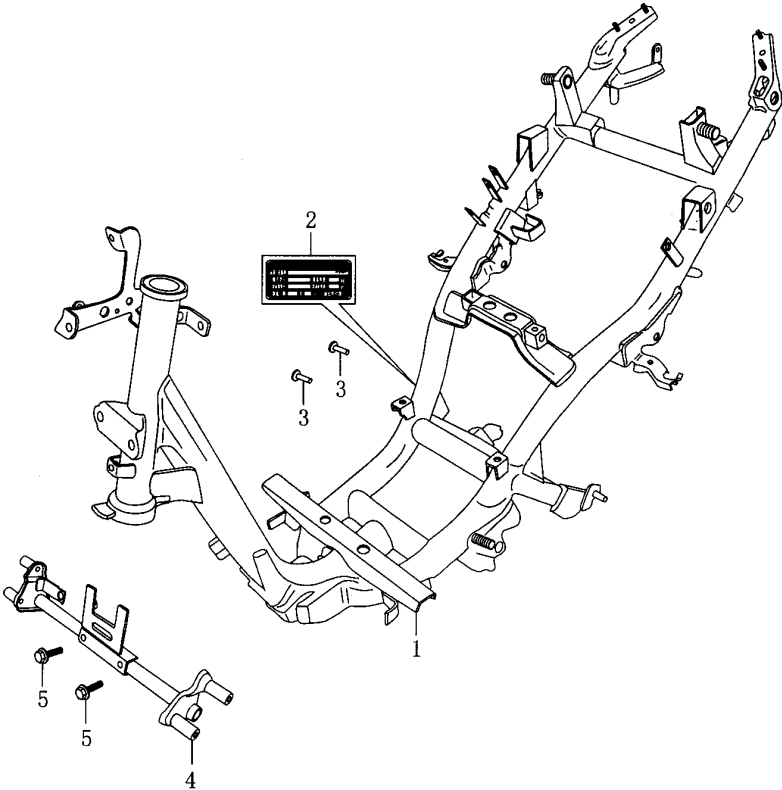


图 32
FIG. 32

车体
FRAME

| 序号 Ref.No. | 代号 Part No. | 名称及规格 Description | 数量 Q'ty | 备注 Remarks |
|---------------|--------------------|----------------------|------------|-------------------|
| 1 | XF125T-10E.30.1-00 | 车架焊接组合 | 1 | Body comp, frame |
| 2 | XF125T-10E.99-01 | 车体铭牌 | 1 | Frame brand |
| 3 | GB867-86 | 铆钉 2 × 5 | 2 | Rivet |
| 4 | XF125T-10E.30.4-00 | 前支架焊接组合 | 1 | Stay, front cover |
| 5 | GB9074.14-88 | 螺栓组合 M8 × 36 | 2 | Bolt M8 × 36 |

FIG.33

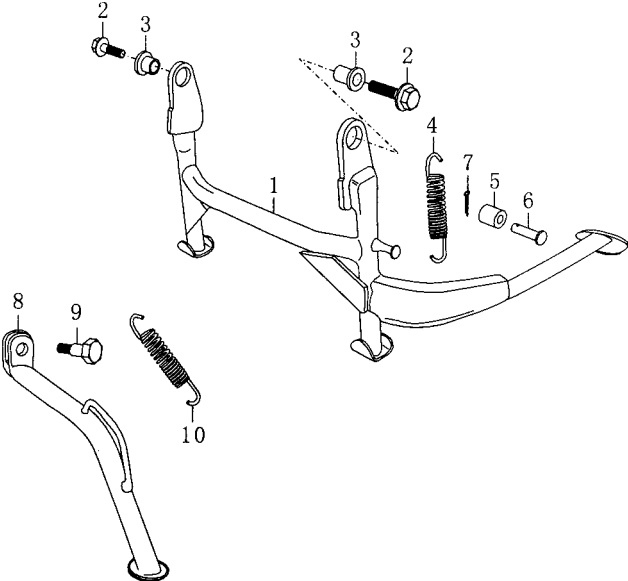


图 33
FIG. 33

支架
STAND

| 序号 Ref.No. | 代号 Part No. | 名称及规格 Description | 数量 Q'ty | 备注 Remarks |
|---------------|--------------------|----------------------|--------------------|---------------|
| 1 | XF125T-10E 41.1-00 | 中心支架焊接组合 | Stand comp, center | 1 |
| 2 | GB5787-86 | 六角法兰面螺栓 M10 × 26 | Bolt M10 × 26 | 2 |
| 3 | XF125T-A. 41-03 | 衬套 | Bush | 2 |
| 4 | XF125T-10D. 4-01 | 弹簧 | Spring | 1 |
| 5 | XF125T-10D. 41-4 | 中心支架缓冲垫 | Cushion | 1 |
| 6 | GB882-86 | 销轴 6 × 33 | Pin 6 × 33 | 1 |
| 7 | GB91-86 | 开口销 2 × 20 | Cutter pin 2×20 | 1 |
| 8 | XF125T-10E 81.1-00 | 侧支撑焊接组合 | Stand comp, side | 1 |
| 9 | | 六角头轴肩螺栓 M 8 | Bolt | 1 |
| 10 | XF125T-10E 81.1-00 | 侧支撑弹簧 | Spring | 1 |

FIG. 34

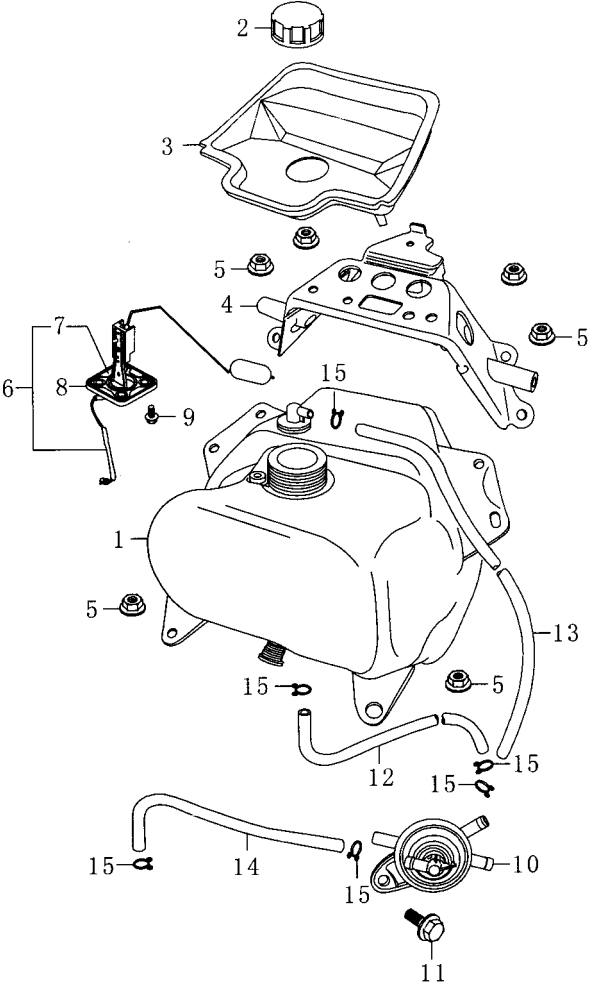


图 34
FIG. 34

燃油箱
FUEL TANK

| 序号 Ref.No. | 代号 Part No. | 名称及规格 Description | 数量 Q'ty | 备注 Remarks |
|---------------|----------------------|----------------------|------------------------|---------------|
| 1 | XF125T-10E.44.1-00 | 燃油箱组合 | Tank comp | 1 |
| 2 | XF125T-10E.44.1-01 | 油箱盖 | Cap, fuel tank | 1 |
| 3 | XF125T-10E.44.1-02 | 接油盘 | Plate, fuelguide | 1 |
| 4 | XF125T-10E.30.3-00 | 油箱护板组合 | Back holder, fuel tank | 1 |
| 5 | GB6177.1-2000 | 六角法兰面螺母 M6 | Nut M6 | 6 |
| 6 | XF125T-10E.44.2-00 | 燃油传感器 | Gauge assy, fuel tank | 1 |
| 7 | ※XF125T-10E.44.2-01 | 密封圈 | Packing | 1 |
| 8 | ※XF125T-10E.44.2-02 | 压板 | Bracket, gauge assy | 1 |
| 9 | GB5787-86 | 六角法兰面螺栓 M6 × 12 | Bolt M6 × 12 | 4 |
| 10 | XF125T-10D.44.3.1-00 | 燃油开关组合 | Switch assy, fuel tank | 1 |
| 11 | GB5787-86 | 六角法兰面螺栓 M6 × 12 | Bolt M6 × 12 | 1 |
| 12 | | 燃油管 L=640 | Hose L=640 | 4 |
| 13 | | 真空管 L=720 | Hose L=720 | 1 |
| 14 | | 溢油管 | Hose | 1 |
| 15 | | 管路卡子 | Clamp, oil hose | 8 |

FIG. 35

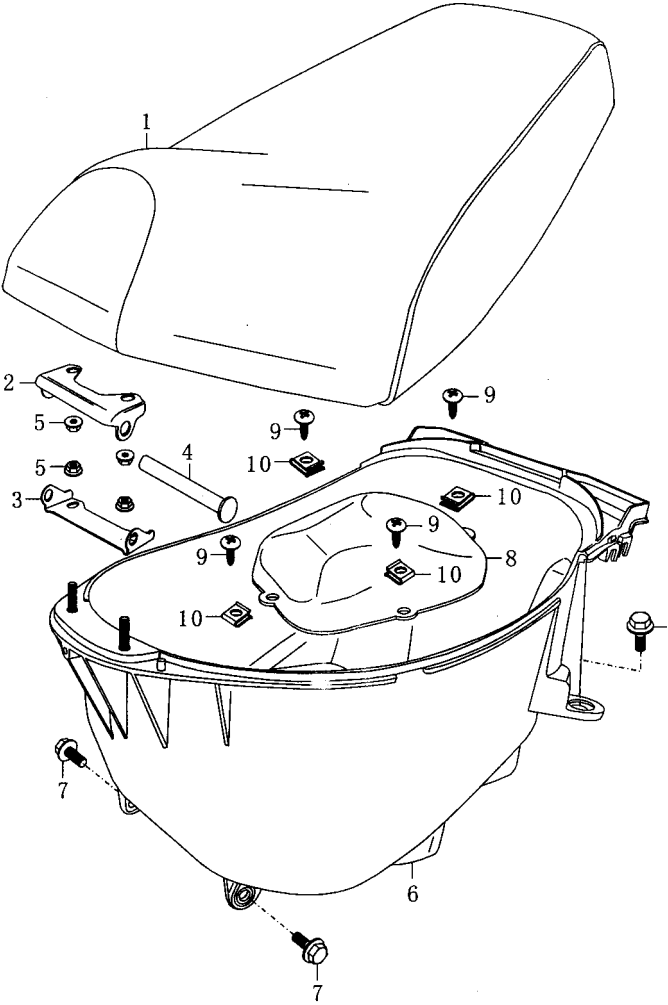


图 35
FIG. 35

鞍座
PILLION RIDER

| 序号 Ref.No. | 代号 Part No. | 名称及规格 Description | 数量 Q'ty | 备注 Remarks |
|---------------|--------------------|----------------------|------------|-------------------------|
| 1 | XF125T-10E.36.1-00 | 鞍座组合 | 1 | Seat assy |
| 2 | XF125T-10E.36.1-01 | 鞍座连接板 I | 1 | Link bracket comp, seat |
| 3 | XF125T-10E.36.1-02 | 鞍座连接板 II | 1 | Link bracket comp, seat |
| 4 | XF125T-10E.36.1-03 | 鞍座固定销 | 1 | Pin |
| 5 | GB5787-86 | 六角法兰面螺母 M6 | 4 | Nut M6 |
| 6 | XF125T-10E.46-11 | 头盔箱 | 1 | Box luggage |
| 7 | GB9074.14-88 | 螺栓组合 M6 × 16 | 4 | Bolt M6 × 16 |
| 8 | XF125T-10E.46-12 | 化油器检查盖 | 1 | Cover above carburetor |
| 9 | GB845-85 | 自攻螺钉 ST4.2 × 16 | 4 | Screw ST4.2 × 16 |
| 10 | | 卡子 ST4.2 | 4 | Nut ST4.2 |

FIG. 36

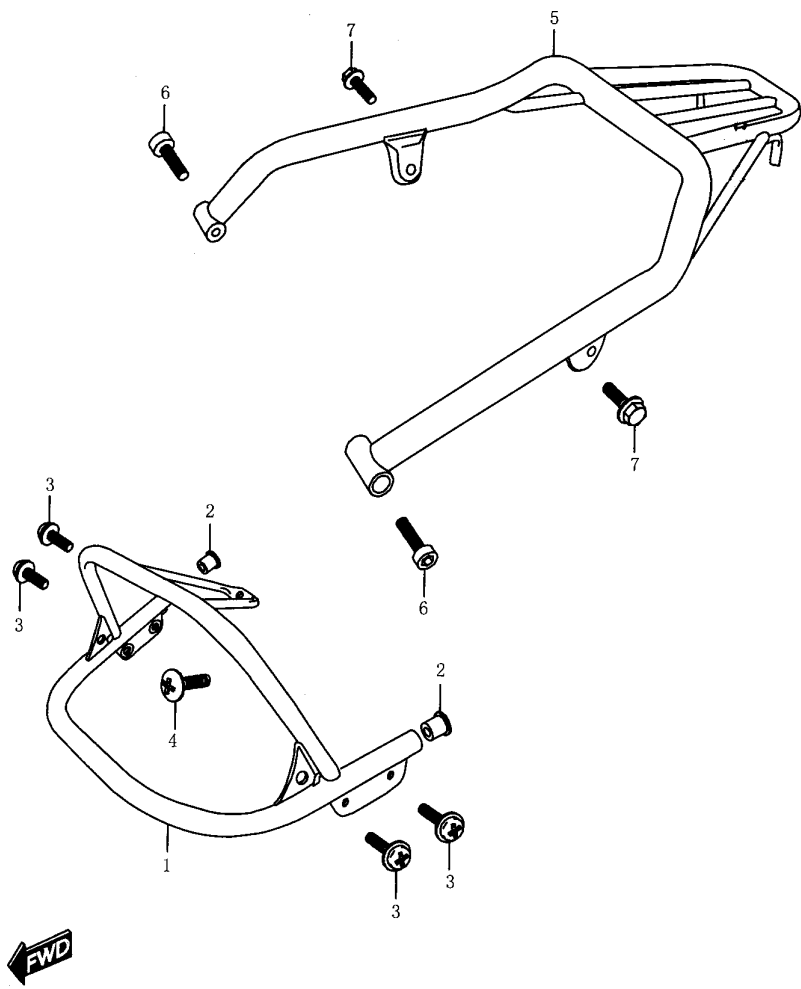


图 36 前照灯护罩/后衣架
 FIG. 36 PROTECTOR, HEADLAMP/CARRIER COMP REAR

| 序号 Ref.No. | 代号 Part No. | 名称及规格 Description | 数量 Q'ty | 备注 Remarks |
|---------------|--------------------|----------------------|---------------------|---------------|
| 1 | XF125T-10E 47.1-00 | 前照灯护罩焊接组合 | Protector, Headlamp | 1 |
| 2 | XF125T-10E 47.1-01 | 塞子 | Rubber plug | 2 |
| 3 | GB5787-86 | 六角法兰面螺栓 M6 × 12 | Bolt M6 × 12 | 4 |
| 4 | | 十字球面螺钉 M6 × 16 | Screw M6 × 16 | 1 |
| 5 | XF125T-10E 40-00 | 后衣架组合 | Carrier comp, rear | 1 |
| 6 | GB6190-86 | 内六角圆柱头螺栓 M6 × 35 | Bolt M6 × 35 | 2 |
| 7 | GB5787-86 | 六角法兰面螺栓 M6 × 25 | Bolt M6 × 25 | 2 |

FIG. 37

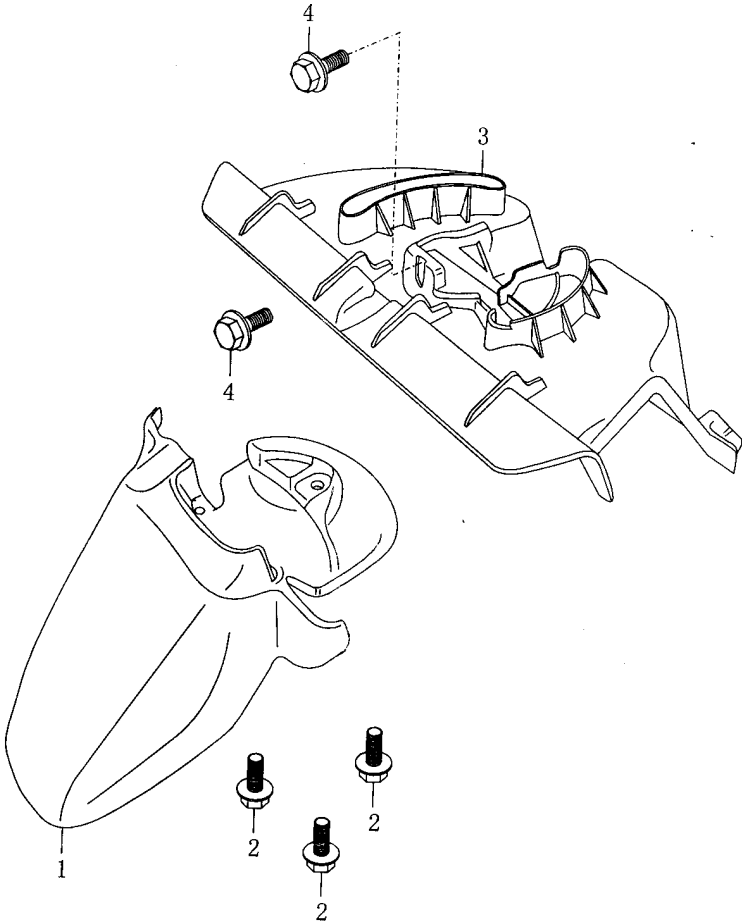


图 37
FIG. 37

前挡泥板
FRONT FENDER

| 序号 Ref.No. | 代号 Part No. | 名称及规格 Description | 数量 Q'ty | 备注 Remarks |
|---------------|------------------|--------------------------------|------------|---------------|
| 1 | XF125T-10E.46-13 | 前泥板 Front fender | 1 | |
| 2 | GB5787-86 | 六角法兰螺栓 M6 × 16 Bolt M6 × 16 | 3 | |
| 3 | XF125T-10E.46-17 | 车体前泥板 Fender lower front | 1 | |
| 4 | GB5787-86 | 六角法兰螺栓 M6 × 12 Bolt M6 × 12 | 2 | |

FIG. 38

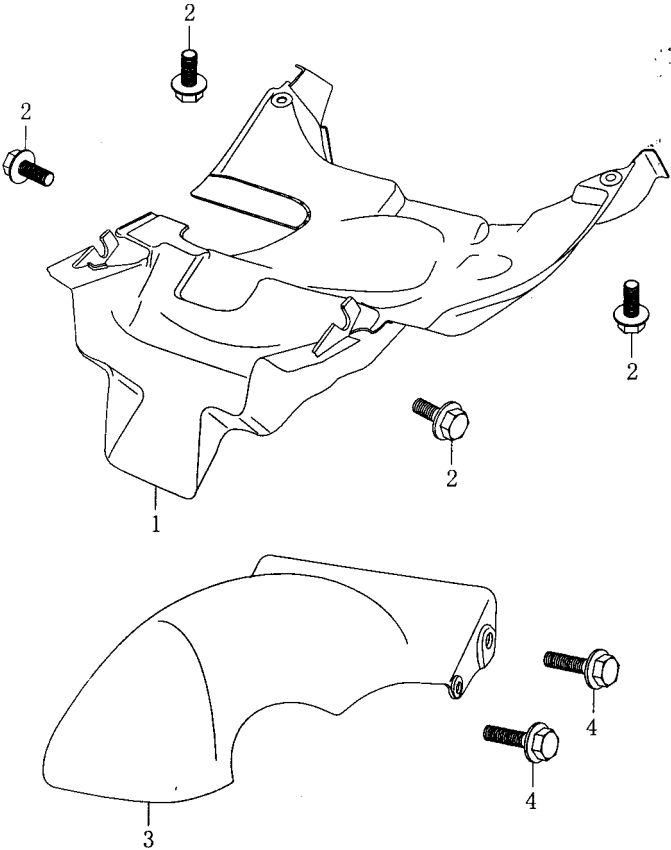


图 38
FIG. 38

车体后泥板
REAR FENDER

| 序号 Ref.No. | 代号 Part No. | 名称及规格 Description | 数量 Q'ty | 备注 Remarks |
|---------------|------------------|--------------------------------|------------|---------------|
| 1 | XF125T-10E.46-18 | 车体后泥板 Rear fender | 1 | |
| 2 | GB5787-86 | 六角法兰螺栓 M6 × 12 Bolt M6 × 12 | 4 | |
| 3 | XF125T-10E.38-01 | 后轮小泥板 Small fender | 1 | |
| 4 | GB5787-86 | 六角法兰螺栓 M6 × 26 Bolt M6 × 26 | 2 | |

FIG. 39

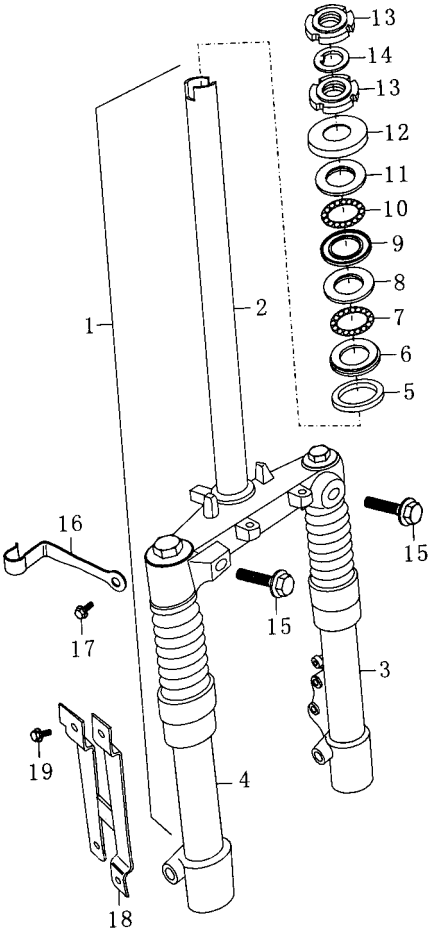


图 39
FIG. 39

前叉前减震器
FRONT FORK

| 序号 Ref.No. | 代号 Part No. | 名称及规格 Description | 数量 Q'ty | 备注 Remarks |
|---------------|--------------------|----------------------|------------|-----------------------------|
| 1 | XF125T-10E.31-00 | 前叉前减震总成 | 1 | Front fork |
| 2 | XF125T-10E.31.1-00 | 方向柱 | 1 | Steering stem |
| 3 | XF125T-10E.31.2-00 | 液压筒式减震(左) | 1 | Damper assy, front fork L |
| 4 | XF125T-10E.31.2-00 | 液压筒式减震(右) | 1 | Damper assy, front fork R |
| 5 | | 油封 | 1 | Oil seal |
| 6 | XF125T-B.31-10 | 下挡 | 1 | Race, steering outer, lower |
| 7 | GB308-77 | 钢珠 1/4 " | 19 | Ball 1/4 " |
| 8 | XF125T-B.31-11 | 下挡碗 | 1 | Race, steering inner, lower |
| 9 | XF125T-B.31-12 | 上挡碗 | 1 | Race, steering inner, upper |
| 10 | GB308-77 | 钢珠 3/16 " | 23 | Ball 3/16 " |
| 11 | XF125T-B.31-13 | 上挡 | 1 | Race, steering outer, upper |
| 12 | XF125T-B.31-14 | 防尘盖 | 1 | Dust seal |
| 13 | XF125T-A.31-05 | 前叉锁紧螺母 | 2 | Nut |
| 14 | XF125T-B.31-09 | 止退垫圈 | 1 | Washer |
| 15 | GB5787-86 | 螺栓M12×35×1.25 | 2 | Bolt M12×35×1.25 |
| 16 | XF125T-B | 软轴线夹 | 1 | Clip |
| 17 | | 螺栓 M6×12 | 1 | Bolt M6×12 |
| 18 | XF125T-10E.99-02 | 前牌照支架 | 1 | Bracket, FR, license plate |
| 19 | GB5787-86 | 六角法兰面螺栓 M6×12 | 1 | Bolt M6×12 |

FIG. 40

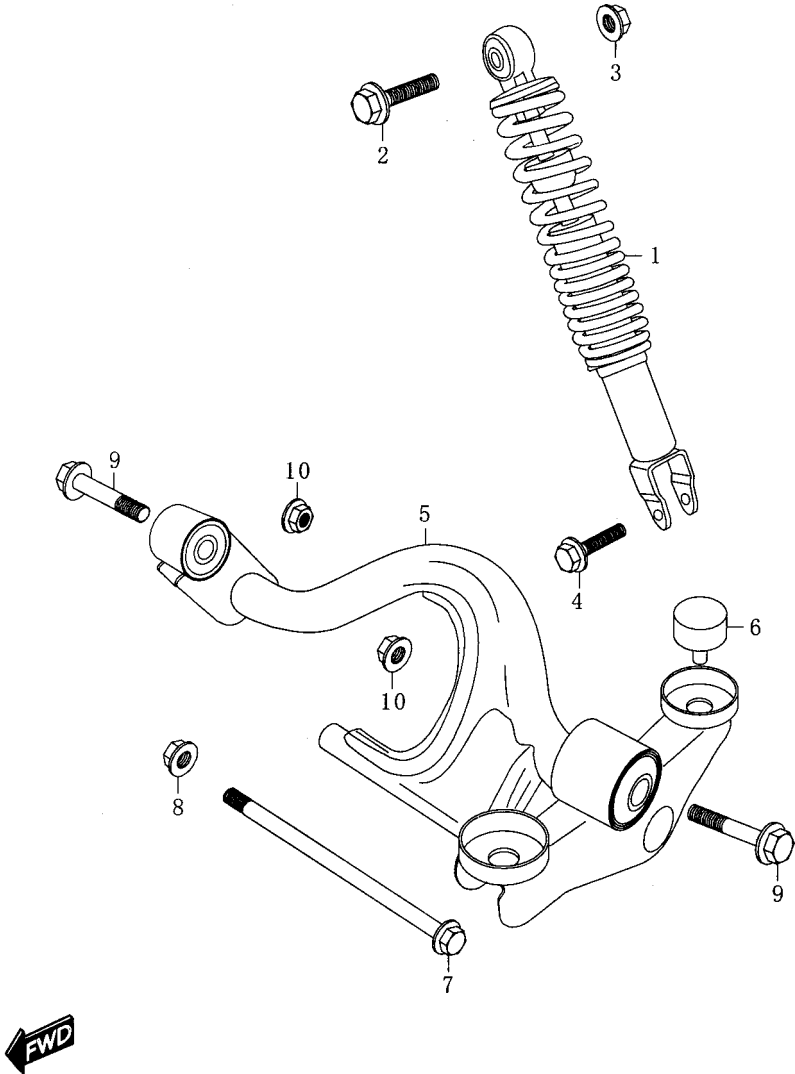


图 40
FIG. 40

后减震器
REAR SHOCK ABSORBER

| 序号 Ref.No. | 代号 Part No. | 名称及规格 Description | 数量 Q'ty | 备注 Remarks |
|---------------|--------------------|----------------------------------|------------|---------------|
| 1 | XF125T-10E.35-00 | 后减震总成 L=350 Shock absorber L=350 | 1 | |
| 2 | GB5787-86 | 六角法兰螺栓 M10 × 35 Bolt M10 × 35 | 1 | |
| 3 | GB6177.1-2000 | 六角法兰锁紧螺母 M10 Nut M10 | 1 | |
| 4 | GB5787-86 | 六角法兰螺栓 M8 × 32 Bolt M8 × 32 | 1 | |
| 5 | XF125T-10E.30.3-00 | 发动机挂架组合 Arm, rear suspension | 1 | |
| 6 | XF125T-A.30.2-1 | 摇臂减震垫 Cushion | 2 | |
| 7 | XF125T-A.30.2-2 | 发动机连接螺栓 Bolt | 1 | |
| 8 | GB6187.1-2000 | 六角法兰锁紧螺母 M10 Nut M10 | 1 | |
| 9 | GB5787-86 | 六角法兰螺栓 M10 × 56 Bolt M10 × 56 | 2 | |
| 10 | GB6177.1-2000 | 六角法兰螺母 M10 Nut M10 | 2 | |

FIG. 41

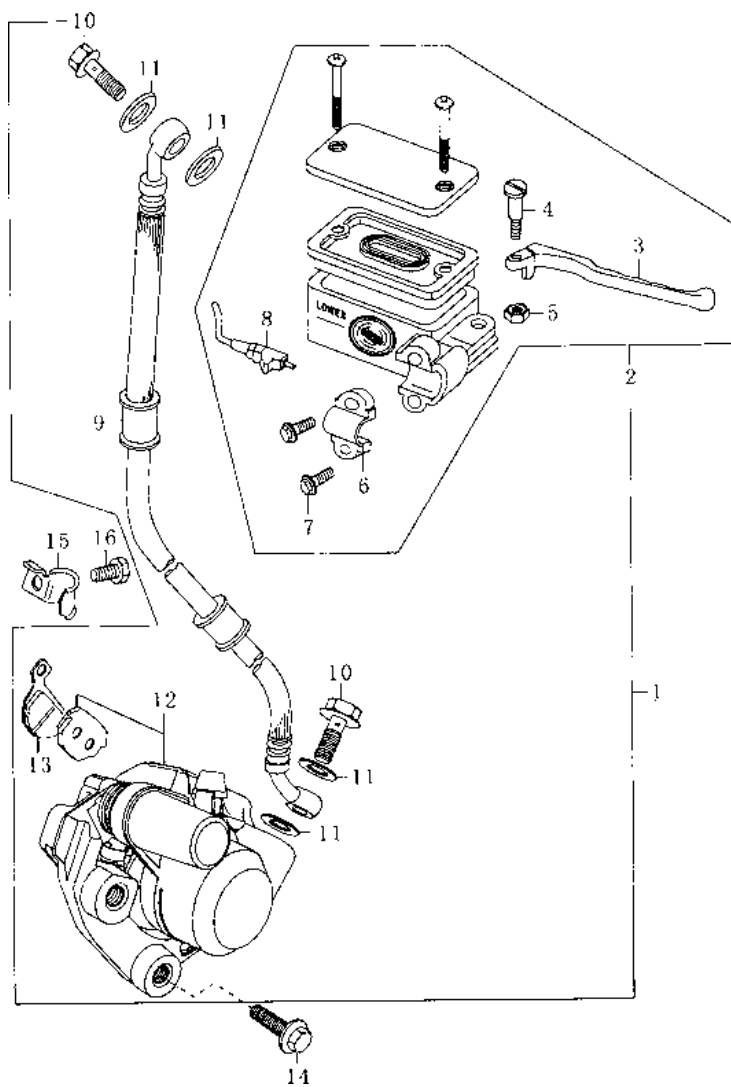


图 41
FIG. 41

前制动组合
FRONT DISK BRAKE ASSY

| 序号 Ref.No. | 代号 Part No. | 名称及规格 Description | 数量 Q'ty | 备注 Remarks |
|---------------|----------------------|----------------------|------------------------|---------------|
| 1 | XF125T-10E. 83. 1-00 | 液压制动组合 | Disk brake assy | 1 |
| 2 | | 主泵总成 | Cylinder assy, front | 1 |
| 3 | | 前刹手把组合 | Lever, brake | 1 |
| 4 | | 闸把安装螺钉 | Screw | 1 |
| 5 | | 六角薄螺母 M 6 | Nut M6 | 1 |
| 6 | | 固定座 | Holder | 1 |
| 7 | | 螺栓 M6 × 22 | Bolt M6 × 22 | 2 |
| 8 | | 前刹车开关组合 | Switch assy, stop lamp | 1 |
| 9 | | 前制动软管组合 | Hose, front brake | 1 |
| 10 | | 带孔螺栓 | Bolt | 2 |
| 11 | | 垫圈 | Washer | 4 |
| 12 | | 前制动卡钳组合 | Caliper set | 1 |
| 13 | | 内摩擦片组合 | Pad set | 2 |
| 14 | GB5787-86 | 支架安装螺栓 M8 × 32 | Bolt M8 × 32 | 2 |
| 15 | XF125T-10E. 83-04 | 油管夹组合 | Clamp, brake hose | 1 |
| 16 | | 螺栓 | Bolt | 1 |

FIG. 42

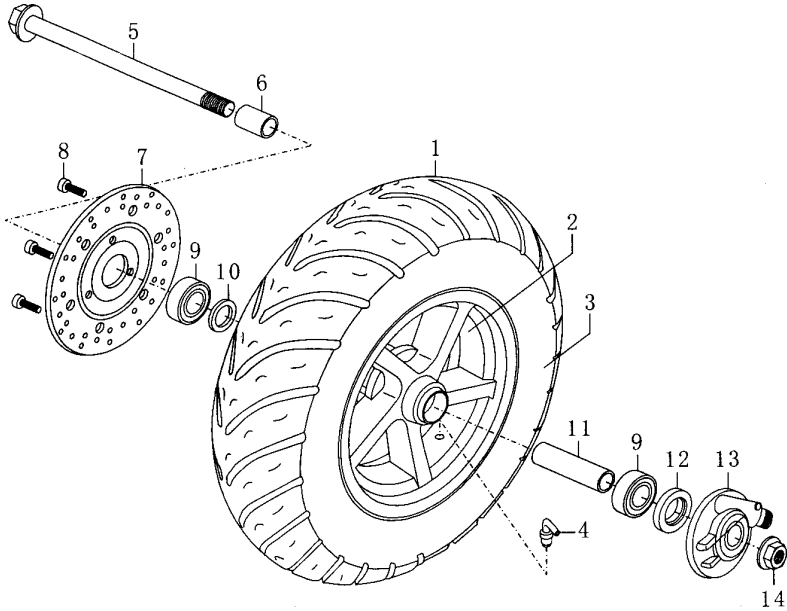


图 42
FIG. 42

前轮
FRONT WHEEL

| 序号 Ref.No. | 代号 Part No. | 名称及规格 Description | 数量 Q'ty | 备注 Remarks |
|---------------|--------------------|----------------------|-----------------------------|---------------|
| 1 | XF125T-10E.33-00 | 前轮总成 | Front wheel | 1 |
| 2 | XF125T-10E.33.1-1 | 前轮毂 | Rim, front wheel | 1 |
| 3 | | 前轮胎 120/90-10 | Tyre, front 120/90-10 | 1 |
| 4 | | 充气阀组合 | Valve assy, wheel rim | 1 |
| 5 | XF125T-10E.33-1 | 前轮轴 | Axle, front | 1 |
| 6 | XF125T-10E.33-2 | 前轮左隔套 | Spacer, front left | 1 |
| 7 | XF125T-10E.83-01 | 刹车盘 | Disk, front brake | 1 |
| 8 | XF125T-10E.83-02 | 内六角螺栓 M8 × 25 | BOLT M8 × 25 | 3 |
| 9 | GB/T276-91 | 轴承 6300 | Bearing 6300 | 2 |
| 10 | | 密封圈 | O ring | 1 |
| 11 | XF125T-10E.33.1-2 | 中间套组合 | Spacer, front wheel bearing | 1 |
| 12 | | 油封组合 20 × 35 × 7 | Oil seal 20×35×7 | 1 |
| 13 | XF125T-10E.33.3-00 | 计速盒组合 | Box assy, speedometer gear | 1 |
| 14 | | 螺母 | Nut | 1 |

FIG. 43

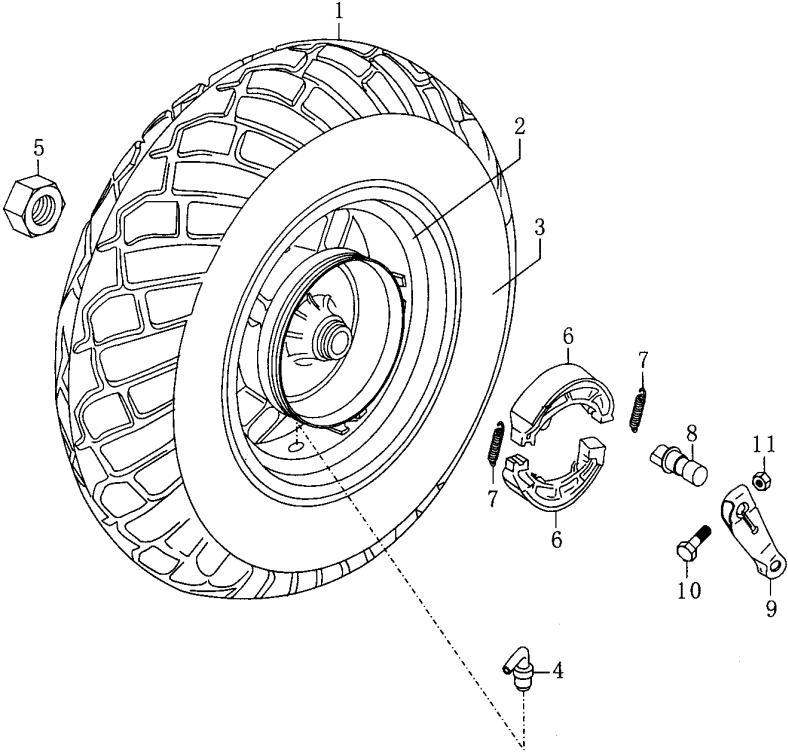


图 43
FIG. 43

后轮
REAR WHEEL

| 序号 Ref.No. | 代号 Part No. | 名称及规格 Description | 数量 Q'ty | 备注 Remarks |
|---------------|--------------------|----------------------|------------|---------------|
| 1 | XF125T-10E.3A-00 | 后轮总成 | 1 | |
| 2 | XF125T-10E.3A.1-00 | 后轮毂 | 1 | |
| 3 | | 后轮胎 130/90-10 | 1 | |
| 4 | | 充气阀组合 | 1 | |
| 5 | GB6187.1-2000 | 六角法兰面自锁螺母M16 | 1 | |
| 6 | XF125T-10D.3A.1-01 | 制动块组合 | 1 | |
| 7 | XF125T-10D.3A.1-01 | 蹄块回位弹簧 | 2 | |
| 8 | XF125T-10D.3A.1-03 | 制动凸轮轴 | 1 | |
| 9 | XF125T-10D.3A.1-02 | 制动摇臂 | 1 | |
| 10 | GB5780-86 | 六角头螺栓M6 × 35 | 1 | |
| 11 | GB6170-2000 | 六角螺母 M6 | 1 | |

FIG. 1

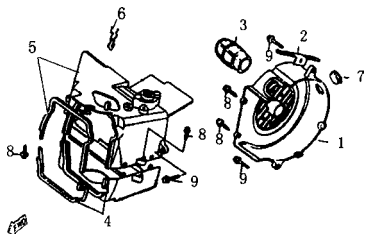


FIG. 2

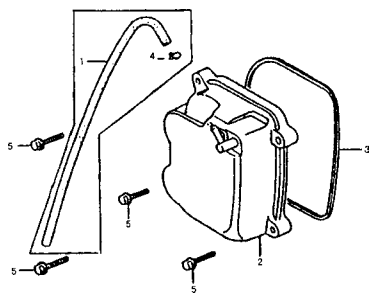


FIG. 3

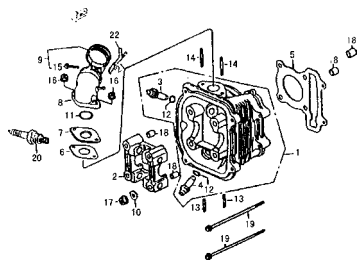


FIG. 4

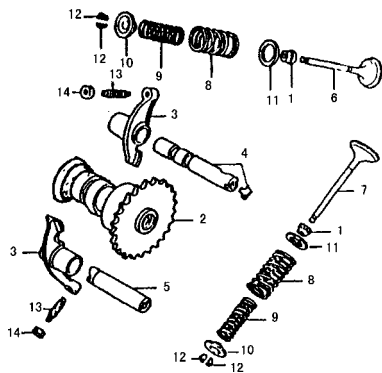


FIG. 5

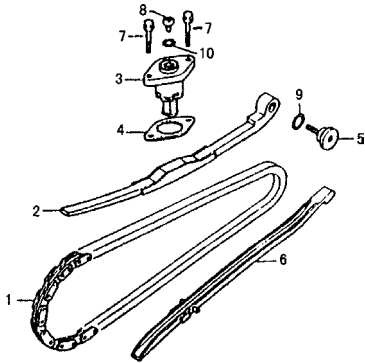


FIG. 6

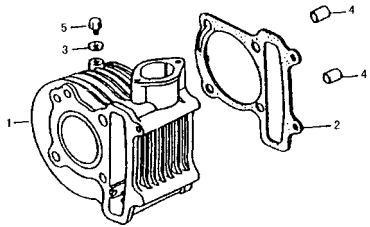


FIG. 7

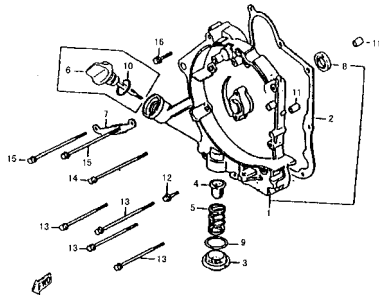


FIG. 8

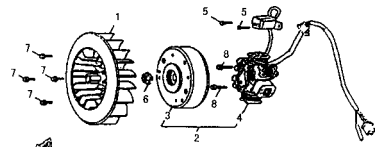


FIG. 9

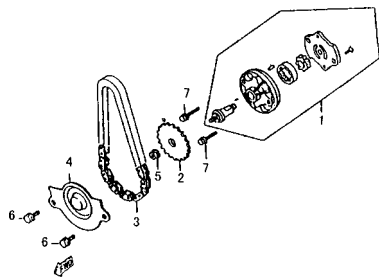


FIG. 10

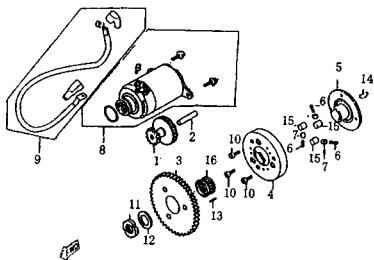


FIG. 11

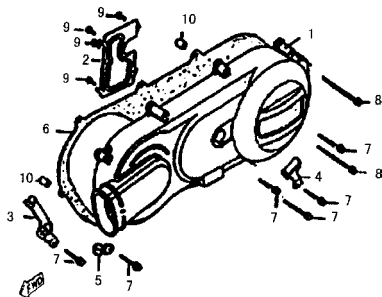


FIG. 12

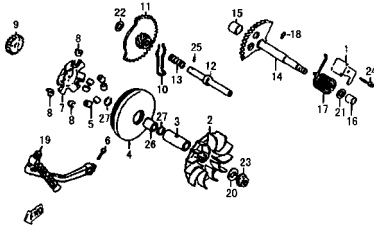


FIG. 13

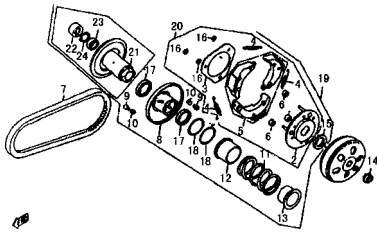


FIG. 14

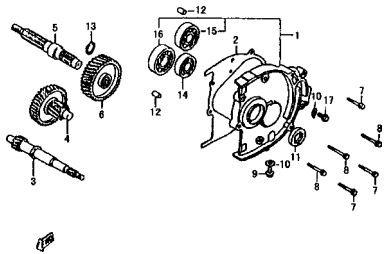


FIG. 15

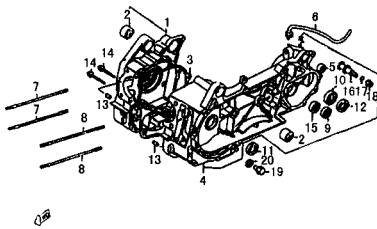


FIG. 16

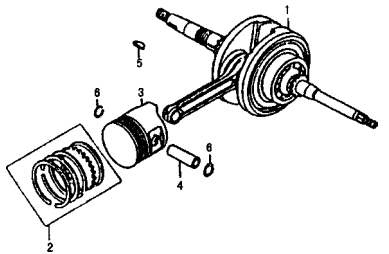


FIG. 17

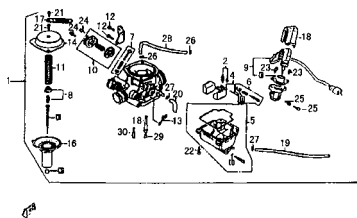


FIG. 18

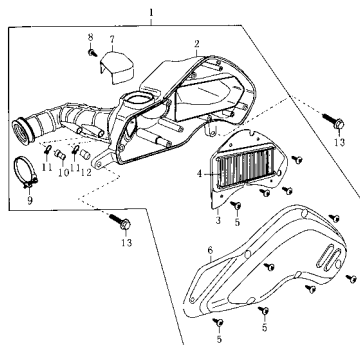


FIG. 19

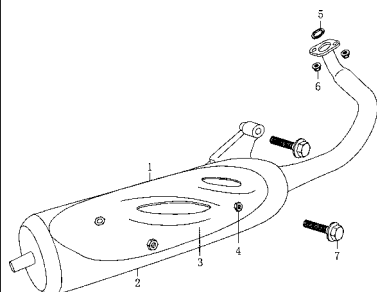


FIG. 20

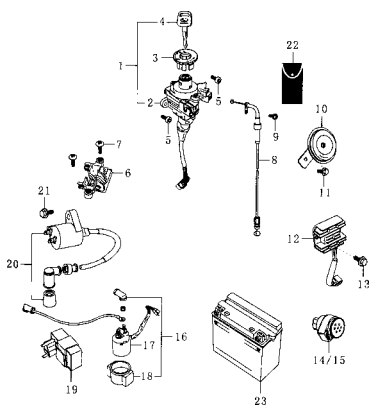


FIG. 21

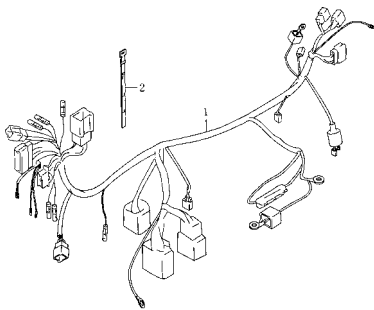


FIG. 22

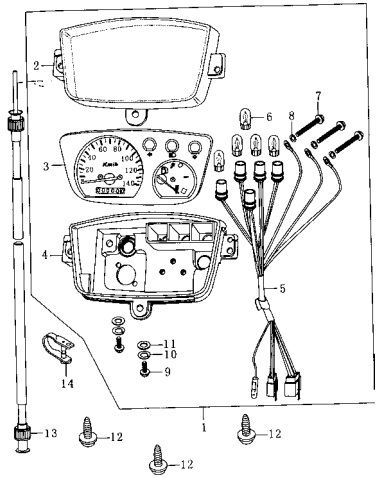


FIG. 23

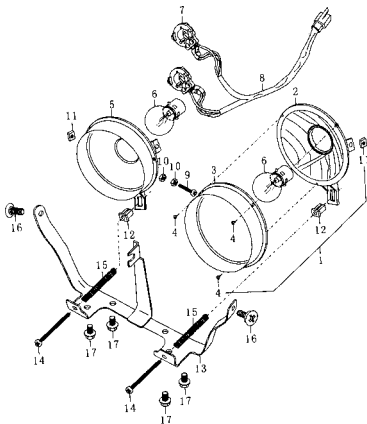


FIG. 24

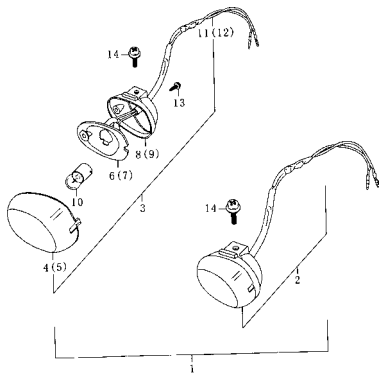


FIG. 25

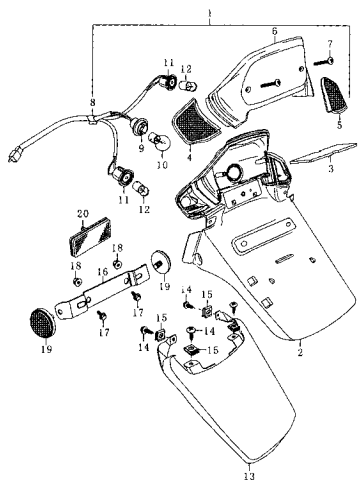


FIG. 26

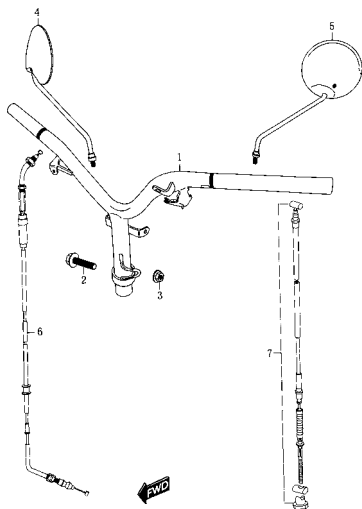


FIG. 27

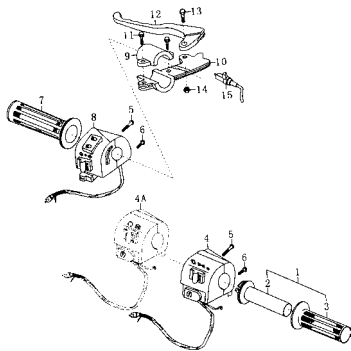


FIG. 28

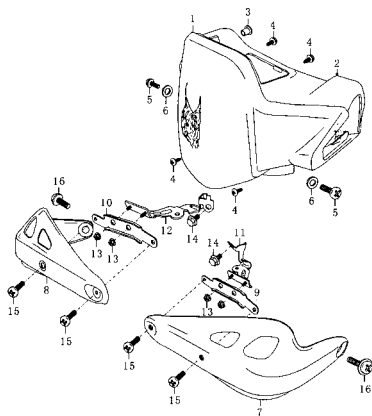


FIG. 29

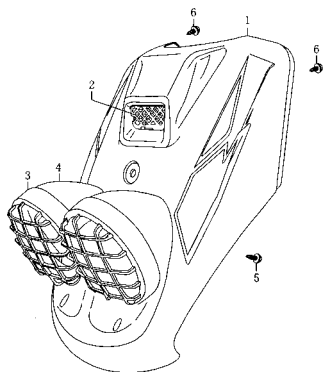


FIG. 30

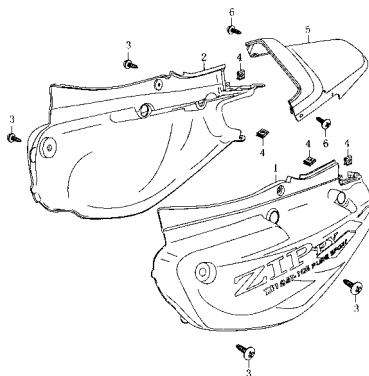


FIG. 31

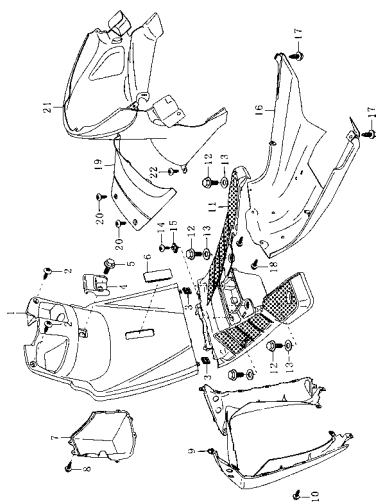


FIG. 32

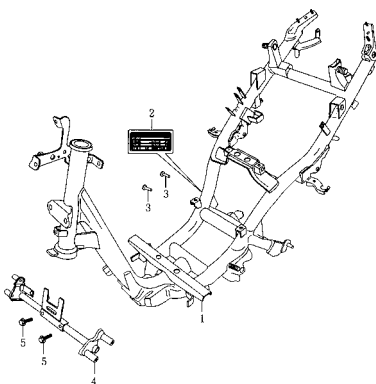


FIG. 33

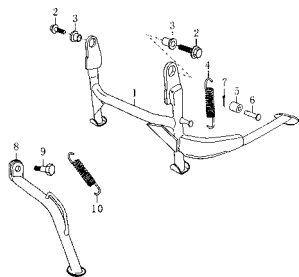


FIG. 34

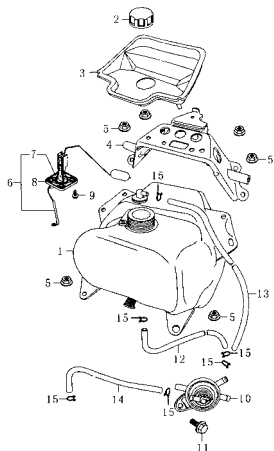


FIG. 35

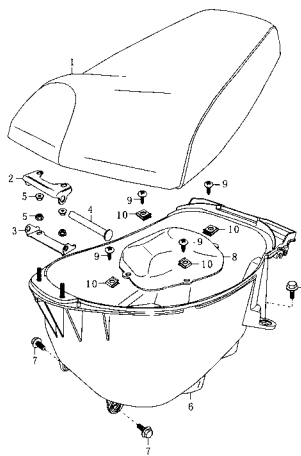


FIG. 36

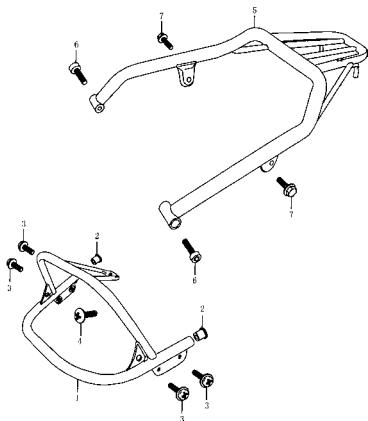


FIG. 37

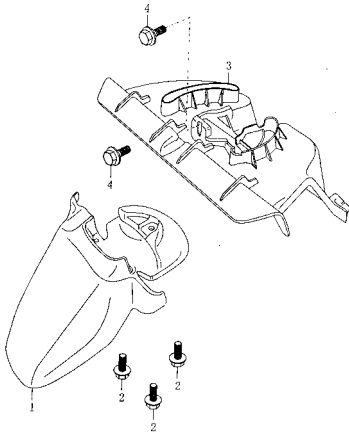


FIG. 38

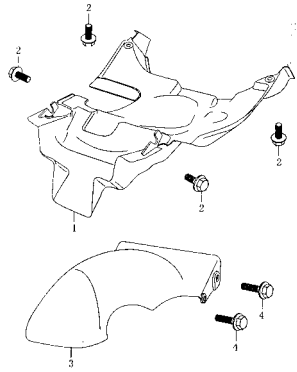


FIG. 39

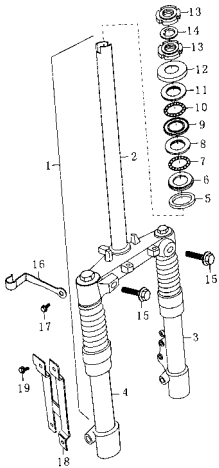


FIG. 40

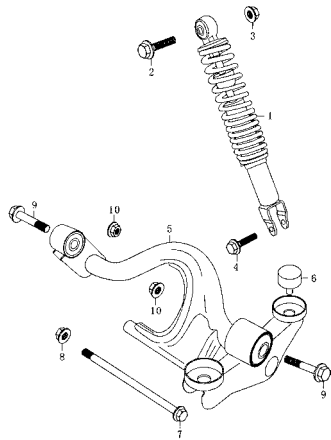


FIG. 41

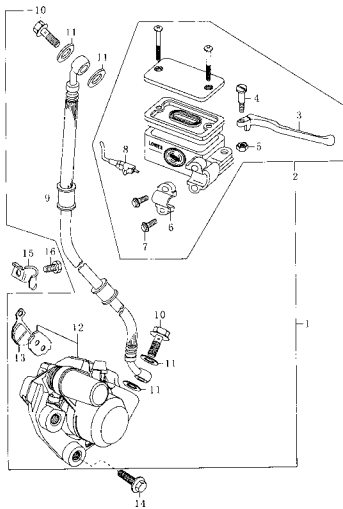


FIG. 42

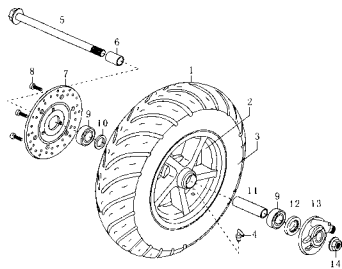
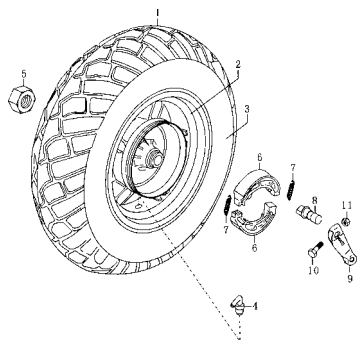


FIG. 43



PREFACE

The manual of parts catalogue is to satisfy the need of consumers and menders when repairing.

All information is about the latest product. Due to the improvement and other reasons, the narration of this manual may have a little difference from the reality. The manufacturer reserves the right to vary specification if any improvement or change occur.

No duplication is permitted.

零部件目录

PARTS CATALOGUE

| Ref.No. | Description | Page |
|------------|--|------|
| 图1 FIG.1 | 风扇盖·护罩 FAN COVER·SHROUD..... | 2 |
| 图2 FIG.2 | 气缸头盖 CYLINDER HEAD COVER..... | 4 |
| 图3 FIG.3 | 气缸头 CYLINDER HEAD..... | 6 |
| 图4 FIG.4 | 凸轮轴·阀门 CAMSHAFT·VALVE..... | 8 |
| 图5 FIG.5 | 链条·涨紧装置 CAM CHAIN·TENSIONER..... | 10 |
| 图6 FIG.6 | 气缸 CYLINDER..... | 12 |
| 图7 FIG.7 | 右箱盖 RIGHT CRANKCASE COVER..... | 14 |
| 图8 FIG.8 | 磁电机 MAGNETO..... | 16 |
| 图9 FIG.9 | 机油泵 OIL PUMP..... | 18 |
| 图10 FIG.10 | 电起动总成 STARTING MOTOR..... | 20 |
| 图11 FIG.11 | 左箱盖 LEFT CRANKCASE COVER..... | 22 |
| 图12 FIG.12 | 驱动盘与反冲起动 DRIVEN FACE AND KICK STARTER | 24 |
| 图13 FIG.13 | 传动皮带轮 DRIVEN BELT PLATE..... | 26 |
| 图14 FIG.14 | 传动系统 TRANSMISSION..... | 28 |
| 图15 FIG.15 | 曲轴箱 CRANKCASE..... | 30 |
| 图16 FIG.16 | 曲轴·活塞 CRANK SHAFT PISTON..... | 32 |
| 图17 FIG.17 | 化油器 CARBURETOR..... | 34 |
| 图18 FIG.18 | 空气滤清器 AIR CLEANER..... | 38 |
| 图19 FIG.19 | 消音器 MUFFLER..... | 40 |
| 图20 FIG.20 | 电器件 ELECTRICAL..... | 42 |
| 图21 FIG.21 | 主线束 WIRING HARNESS..... | 44 |
| 图22 FIG.22 | 速度里程表 SPEEDOMETER..... | 46 |
| 图23 FIG.23 | 前照灯 HEAD LAMP..... | 48 |
| 图24 FIG.24 | 转向灯 TURN SIGNAL LAMP..... | 50 |
| 图25 FIG.25 | 后尾灯·后挡泥板 REAR COMBINATION LAMP·REAR FENDER.. | 52 |
| 图26 FIG.26 | 车把 HANDLE BAR..... | 54 |
| 图27 FIG.27 | 手把 HANDLE SWITCH..... | 56 |

| Ref.No. | Description | Page |
|------------------------|--|------|
| 图 28 FIG. 28 把罩 | COVER, HANDLEBAR..... | 58 |
| 图 29 FIG. 29 前护板 | FRONT COVER..... | 60 |
| 图 30 FIG. 30 车架罩 | FRAME COVER..... | 62 |
| 图 31 FIG. 31 车架挡板 | FRAME SHIELD..... | 64 |
| 图 32 FIG. 32 车体 | FRAME..... | 66 |
| 图 33 FIG. 33 支架 | STAND..... | 68 |
| 图 34 FIG. 34 燃油箱 | FUEL TANK..... | 70 |
| 图 35 FIG. 35 鞍座 | PILLION RIDER..... | 72 |
| 图 36 FIG. 36 前照灯护罩·后衣架 | PROTECTORHEADLAMP·CARRIER COMP REAR... | 74 |
| 图 37 FIG. 37 前挡泥板 | FRONT FENDER..... | 76 |
| 图 38 FIG. 38 车体后泥板 | REAR FENDER..... | 78 |
| 图 39 FIG. 39 前叉前减震器 | FRONT FORK..... | 80 |
| 图 40 FIG. 40 后减震器 | REAR SHOCK ABSORBER..... | 82 |
| 图 41 FIG. 41 前制动组合 | FRONT DISK BRAKE ASSY..... | 84 |
| 图 42 FIG. 42 前轮 | FRONT WHEEL..... | 86 |
| 图 43 FIG. 43 后轮 | REAR WHEEL..... | 88 |

注：代号前带（※）符号的零件表示构成总成的散件部件，不单独提供。